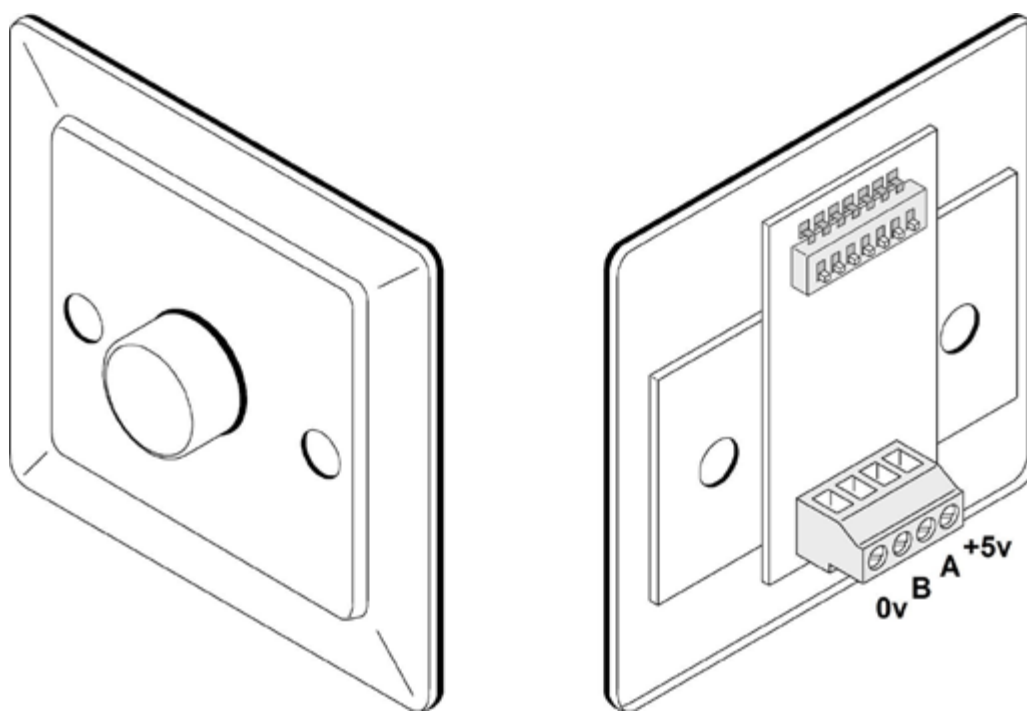


Collection	Finish	Product
Lighting Controls	TBC	WLC ROT

WLC ROT

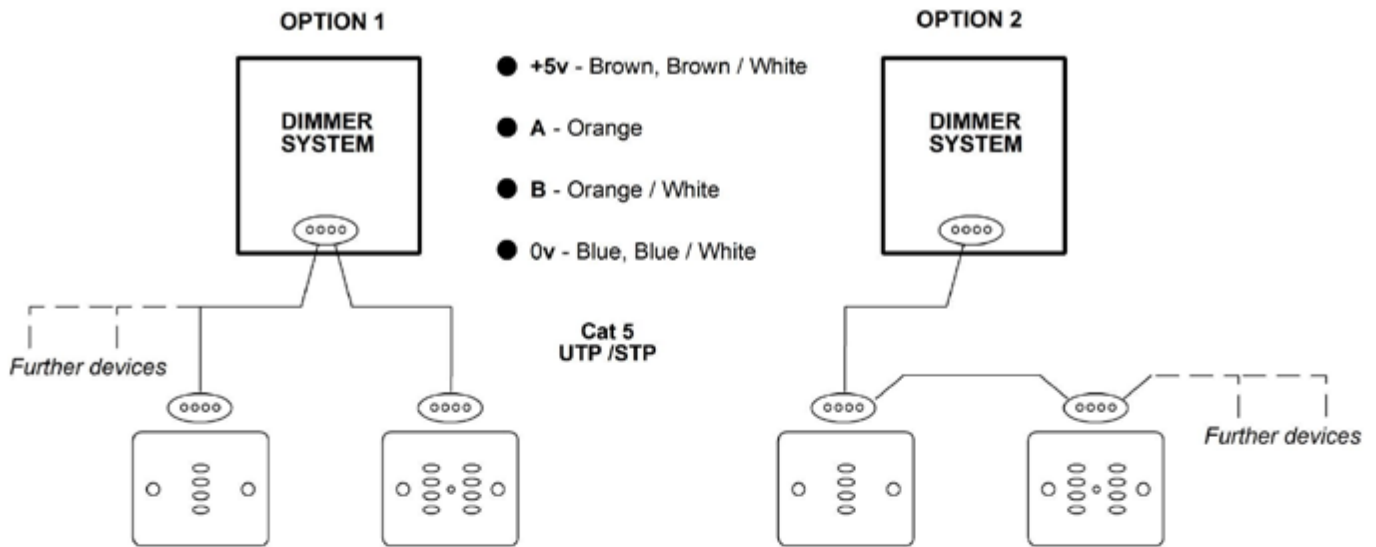
Description

The WLC ROT is a multifunction rotary encoder that works with the Wandsworth Lighting Control protocol. It will mount within a standard single (88mm x 88mm) or double (146mm x 88mm) backbox of at least 35mm deep. It can be supplied to match any finish in any collection from the entire Wandsworth range of electrical accessories.



Rotary Operation

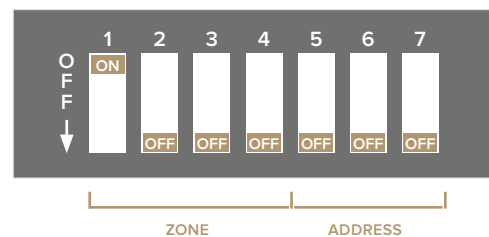
- Rotate the control to raise and lower the level of a circuit.
- Briefly press the rotary control to switch the circuit on and off at the last level.
- Press and hold the rotary control to raise and lower the level of a circuit. If you want to change the direction in which the level is adjusted, release the control and press it again.
- Flick the rotary control round rapidly to bring the circuit on at full brightness or turn it off.



DIP switch configuration

ZONE NUMBER	SW1	SW2	SW3	SW4
1	OFF	OFF	OFF	OFF
2	ON	OFF	OFF	OFF
3	OFF	ON	OFF	OFF
4	ON	ON	OFF	OFF
5	OFF	OFF	ON	OFF
6	ON	OFF	ON	OFF
7	OFF	ON	ON	OFF
8	ON	ON	ON	OFF
9	OFF	OFF	OFF	ON
10	ON	OFF	OFF	ON
11	OFF	ON	OFF	ON
12	ON	ON	OFF	ON
13	OFF	OFF	ON	ON
14	ON	OFF	ON	ON
15	OFF	ON	ON	ON
16	ON	ON	ON	ON

ADDRESS NUMBER	SW5	SW6	SW7
1	OFF	OFF	OFF
2	ON	OFF	OFF
3	OFF	ON	OFF
4	ON	ON	OFF
5	OFF	OFF	ON
6	ON	OFF	ON
7	OFF	ON	ON
8	ON	ON	ON



EXAMPLE

MASTER BEDROOM		SW1	SW2	SW3	SW4
CIRCUIT 1	ZONE 1	OFF	OFF	OFF	OFF
CIRCUIT 2	ZONE 1	OFF	OFF	OFF	OFF
CIRCUIT 3	ZONE 1	OFF	OFF	OFF	OFF
EN-SUITE		SW1	SW2	SW3	SW4
CIRCUIT 1	ZONE 2	ON	OFF	OFF	OFF
CIRCUIT 2	ZONE 2	ON	OFF	OFF	OFF
WALK IN WARDROBE		SW1	SW2	SW3	SW4
CIRCUIT 1	ZONE 3	OFF	ON	OFF	OFF
CIRCUIT 2	ZONE 3	OFF	ON	OFF	OFF

		SW5	SW6	SW7		
Address 1		OFF	OFF	OFF	DALI Dimming	OFF
Address 2		ON	OFF	OFF		OFF
Address 3		OFF	ON	OFF		OFF
Address 1		OFF	OFF	OFF	Normal Relay	OFF
Address 2		ON	OFF	OFF		OFF
Address 1		OFF	OFF	OFF		
Address 2		ON	OFF	OFF		