

Collection	Finish	Product
Lighting Controls	TBC	WLC IN1xDD

WLC IN1xDD

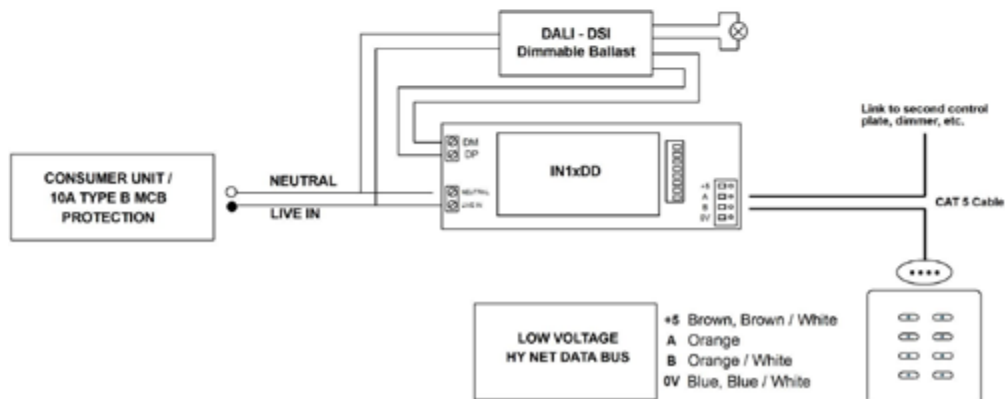
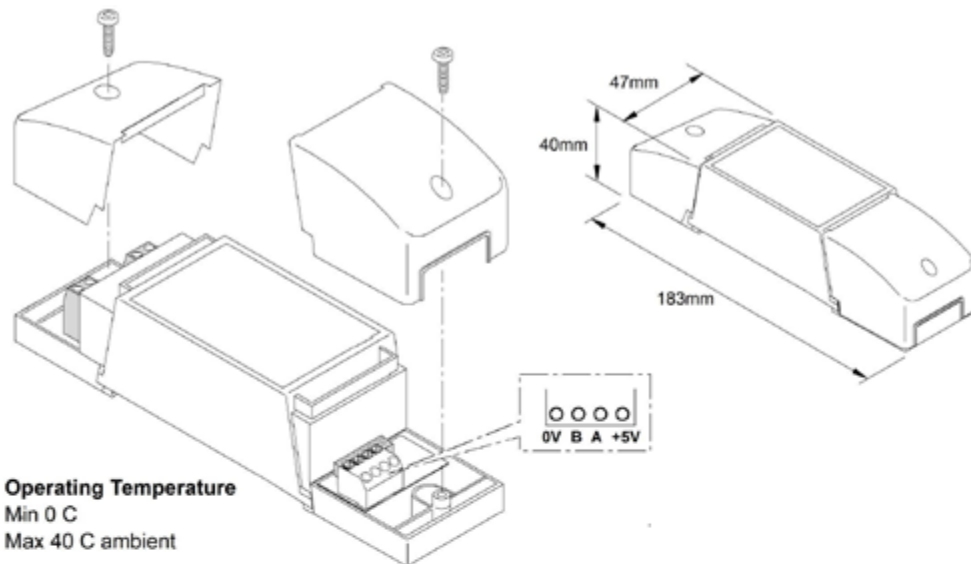
Description

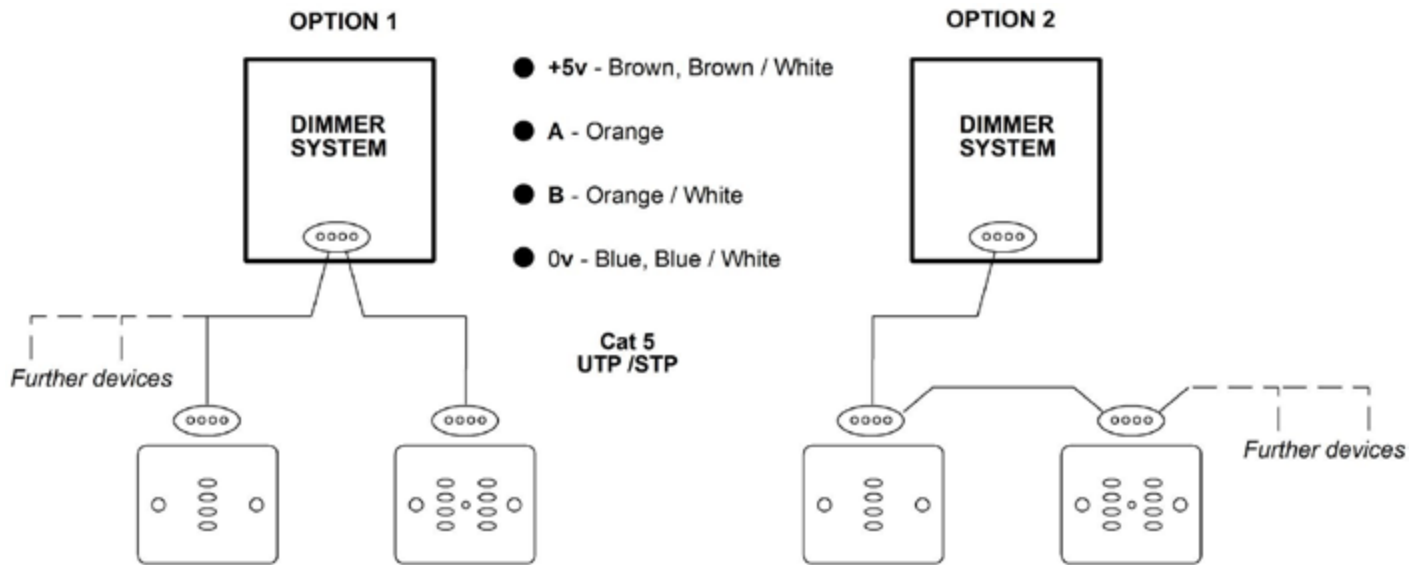
The WLC IN1xDD is a single channel DALI or DSI Controller.

Each channel can control up to 32 DALI or DSI devices, in broadcast mode only.

This controller forms part of the Wandsworth networkable lighting control system.

Units should be installed on a non-flammable surface.





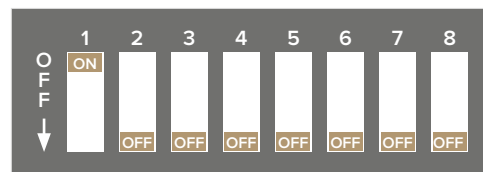
DIP switch configuration

ZONE NUMBER	SW1	SW2	SW3	SW4
1	OFF	OFF	OFF	OFF
2	ON	OFF	OFF	OFF
3	OFF	ON	OFF	OFF
4	ON	ON	OFF	OFF
5	OFF	OFF	ON	OFF
6	ON	OFF	ON	OFF
7	OFF	ON	ON	OFF
8	ON	ON	ON	OFF
9	OFF	OFF	OFF	ON
10	ON	OFF	OFF	ON
11	OFF	ON	OFF	ON
12	ON	ON	OFF	ON
13	OFF	OFF	ON	ON
14	ON	OFF	ON	ON
15	OFF	ON	ON	ON
16	ON	ON	ON	ON

ADDRESS NUMBER	SW5	SW6	SW7
1	OFF	OFF	OFF
2	ON	OFF	OFF
3	OFF	ON	OFF
4	ON	ON	OFF
5	OFF	OFF	ON
6	ON	OFF	ON
7	OFF	ON	ON
8	ON	ON	ON

WLC****DD

DALI/DSI	SW8
DALI	OFF
DSI	ON



WLC****RLY

RELAY	SW8
NORMAL	OFF
REVERSE	ON

EXAMPLE	MASTER BEDROOM				SW1	SW2	SW3	SW4	SW5	SW6	SW7	Dali Dimming	SW8
	CIRCUIT 1	ZONE 1	OFF	OFF	OFF	OFF	Address 1	OFF	OFF	OFF	OFF		
	CIRCUIT 2	ZONE 1	OFF	OFF	OFF	OFF	Address 2	ON	OFF	OFF	OFF		
	CIRCUIT 3	ZONE 1	OFF	OFF	OFF	OFF	Address 3	OFF	ON	OFF	OFF	OFF	
	EN-SUITE				SW1	SW2	SW3	SW4	SW5	SW6	SW7	Normal Relay	SW8
	CIRCUIT 1	ZONE 2	ON	OFF	OFF	OFF	Address 1	OFF	OFF	OFF	OFF		
	CIRCUIT 2	ZONE 2	ON	OFF	OFF	OFF	Address 2	ON	OFF	OFF	OFF	OFF	
	WALK IN WARDROBE				SW1	SW2	SW3	SW4	SW5	SW6	SW7	Normal Relay	SW8
	CIRCUIT 1	ZONE 3	OFF	ON	OFF	OFF	Address 1	OFF	OFF	OFF	OFF		
	CIRCUIT 2	ZONE 3	OFF	ON	OFF	OFF	Address 2	ON	OFF	OFF	OFF	OFF	