

Collection	Finish	Product
Lighting Controls	TBC	WLC IN1x600LD

# WLC IN1x600LD

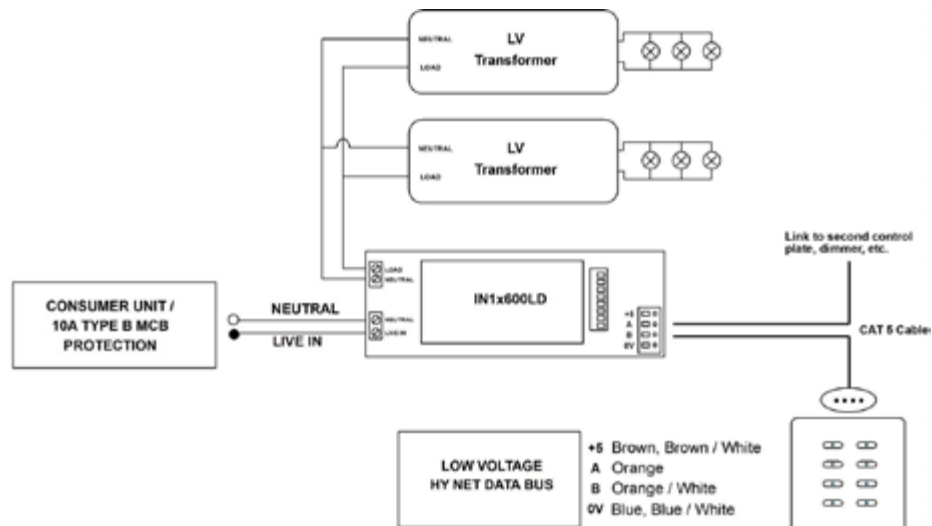
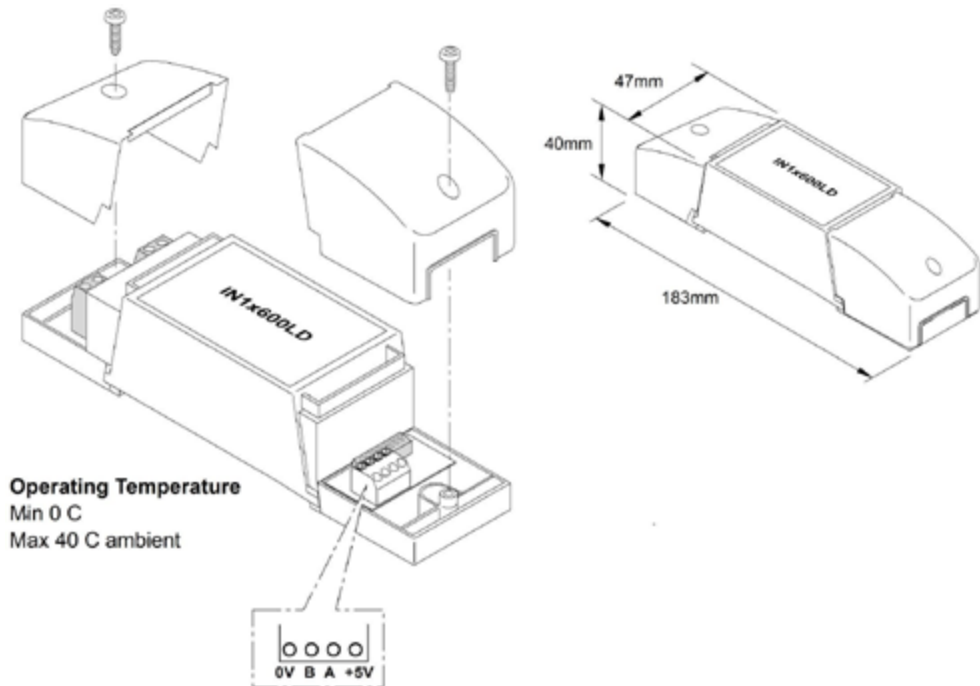
## Description

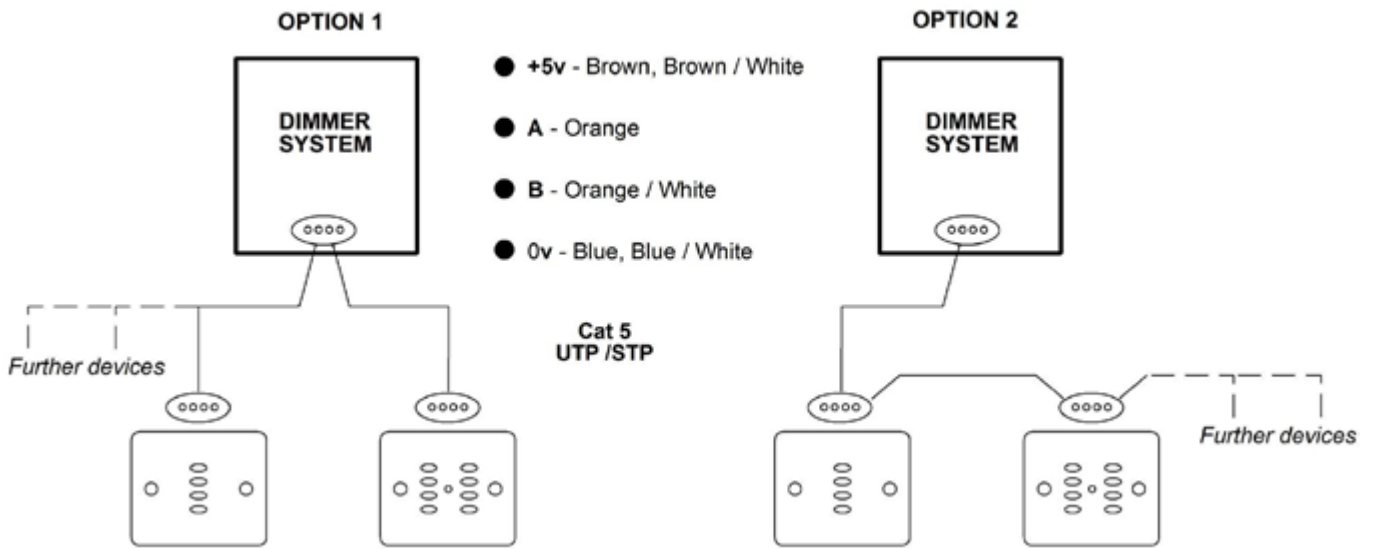
The WLC IN1x600LD is a single channel TRIAC dimmer.

This is a leading edge dimming module, suitable for incandescent loads, wire wound (magnetic) ballasts, and other resistive and inductive loads. Mixed loads are not recommended.

This controller forms part of the Wandsworth networkable lighting control system.

Units should be installed on a non-flammable surface.





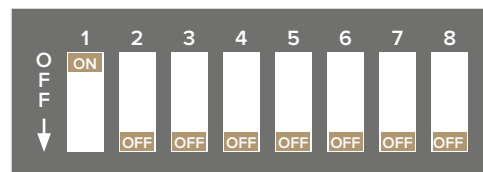
### DIP switch configuration

ZONE NUMBER	SW1	SW2	SW3	SW4
1	OFF	OFF	OFF	OFF
2	ON	OFF	OFF	OFF
3	OFF	ON	OFF	OFF
4	ON	ON	OFF	OFF
5	OFF	OFF	ON	OFF
6	ON	OFF	ON	OFF
7	OFF	ON	ON	OFF
8	ON	ON	ON	OFF
9	OFF	OFF	OFF	ON
10	ON	OFF	OFF	ON
11	OFF	ON	OFF	ON
12	ON	ON	OFF	ON
13	OFF	OFF	ON	ON
14	ON	OFF	ON	ON
15	OFF	ON	ON	ON
16	ON	ON	ON	ON

ADDRESS NUMBER	SW5	SW6	SW7
1	OFF	OFF	OFF
2	ON	OFF	OFF
3	OFF	ON	OFF
4	ON	ON	OFF
5	OFF	OFF	ON
6	ON	OFF	ON
7	OFF	ON	ON
8	ON	ON	ON

WLC\*\*\*\*DD

DALI/DSI	SW8
DALI	OFF
DSI	ON



WLC\*\*\*\*RLY

RELAY	SW8
NORMAL	OFF
REVERSE	ON

ZONE ADDRESS OPTION SPECIFIC

### EXAMPLE

MASTER BEDROOM		SW1	SW2	SW3	SW4
CIRCUIT 1	ZONE 1	OFF	OFF	OFF	OFF
CIRCUIT 2	ZONE 1	OFF	OFF	OFF	OFF
CIRCUIT 3	ZONE 1	OFF	OFF	OFF	OFF
EN-SUITE		SW1	SW2	SW3	SW4
CIRCUIT 1	ZONE 2	ON	OFF	OFF	OFF
CIRCUIT 2	ZONE 2	ON	OFF	OFF	OFF
WALK IN WARDROBE		SW1	SW2	SW3	SW4
CIRCUIT 1	ZONE 3	OFF	ON	OFF	OFF
CIRCUIT 2	ZONE 3	OFF	ON	OFF	OFF

		SW5	SW6	SW7		
Address 1		OFF	OFF	OFF	DALI Dimming	OFF
Address 2		ON	OFF	OFF		OFF
Address 3		OFF	ON	OFF		OFF
Address 1		OFF	OFF	OFF	Normal Relay	OFF
Address 2		ON	OFF	OFF		OFF
Address 1		OFF	OFF	OFF		
Address 2		ON	OFF	OFF		