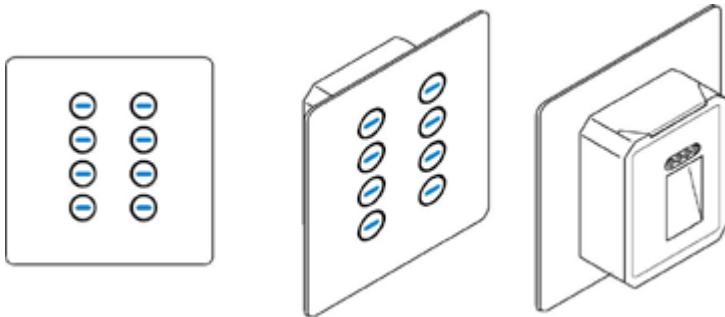


Scene Setting Plates



Wandsworth can supply a vast range of Control Plate modules that communicate with WLC dimmer packs via our cat 5 network protocol.

We can match any finish in any collection for the entire Wandsworth range of electrical accessories, thus ensuring a seamless, matched, high quality finish throughout.

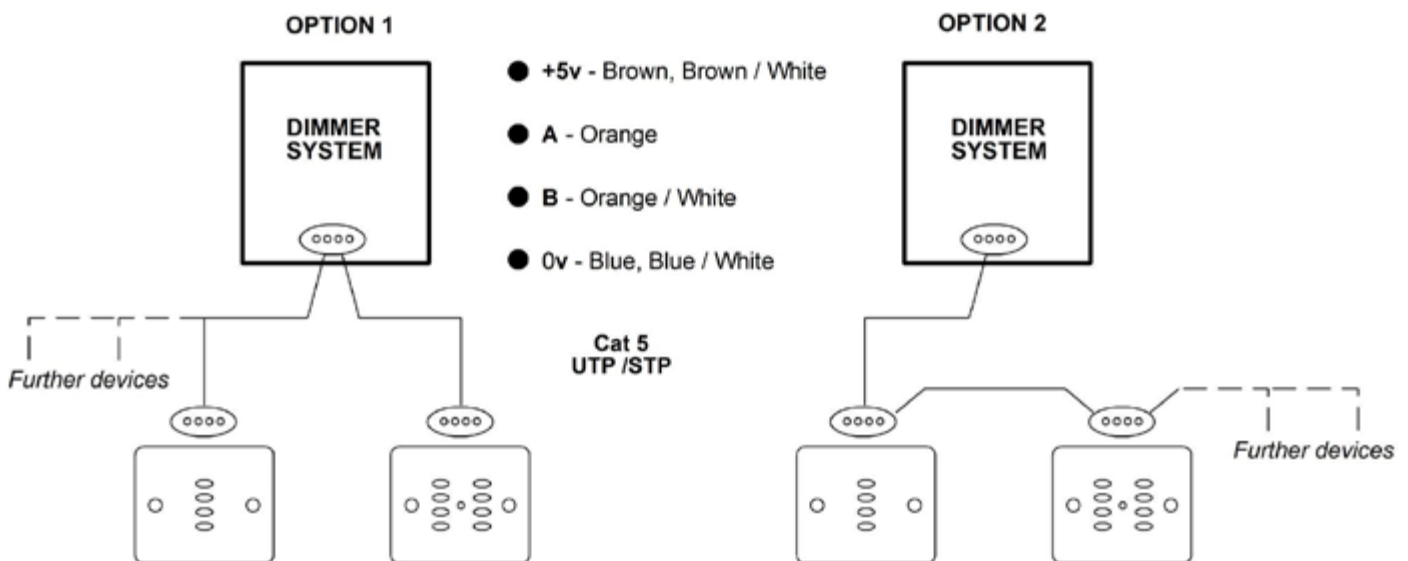
In addition to plate finishes, we also have a range of various shapes and colours of button to ensure the greatest possible aesthetic choice.

Plates are available in standard single (88mm x 88mm) or double (146mm x 88mm) sizes, fitting standard 35mm deep (or deeper) back boxes.

There is a positive click to all the buttons upon activation, which are LED Blue, Green and Red as standard. These provide excellent visual and tactile feedback in all lighting conditions.

We are able to offer single gang plates from 1 to 8 buttons and twin gang plates from 1 to 16 buttons.

Please see either our catalogue or our website for details of the possible configurations.

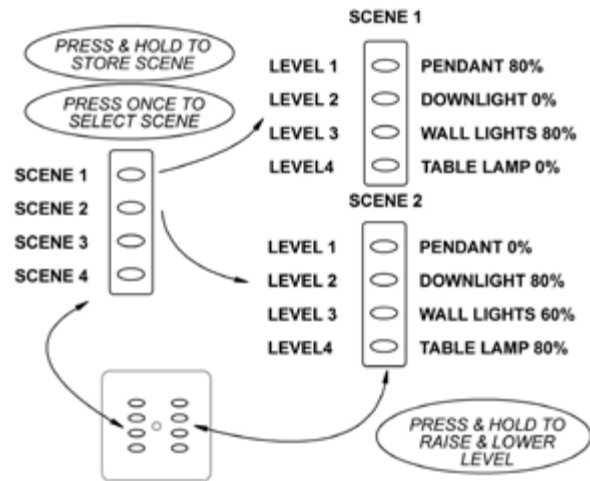


Please note: Any variance from the recommended wiring instructions shown in this datasheet will invalidate the warranty.

We reserve the right to change specification and data herewith without notice.

Control Plate Operation

- **Right-hand buttons.** Each right-hand button raises and lowers the level of a single circuit. To adjust the level of a circuit press and hold the appropriate button. If you want to change the direction in which the level is adjusted, release the button and press it again.
- **Setting a scene.** To set any scene, press the right-hand buttons one at a time until each channel is at the light level you want. To store the scene, press any left-handed button and hold it in. All 4 buttons will flash. Keep the button held in until the 4 left-hand buttons stop flashing. The scene is now set. If you want to create another scene, set the levels and store the new scene on another button.
- To switch a scene on. Briefly press the appropriate left-hand button, its LED will shine brightly. To switch the lights off, press the button again.

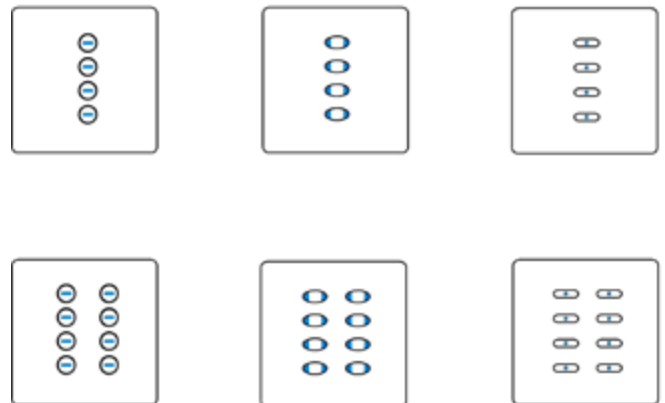


Control Plate Zone Assignment

All Wandsworth control plates can be assigned a zone from 1 to 250 simply by following the procedure below. This eliminates the need for software configuration on smaller systems, further simplifying installation.

- Press and hold 'Scene Recall Button 2 & 4 simultaneously, for approximately 5 seconds. When 'Scene Recall Button 1' starts to flash, release both buttons.
- **Note:** that zone assignment mode is locked out after 20 scene selections on that plate and cannot be selected. Power cycling the system will re-enable it.
- 'Scene Recall Buttons 1-3' will now flash with a pause between each flash sequence. Button 3 indicates 100's, button 2 indicates 10's and button 1 indicates units. For example, if there are 2 flashes on button 2, followed by 6 flashes on button 1, this denotes 26.
- To increase the Zone assignment, press 'Scene Recall Button 2' (INC) and to decrease, press 'Scene Recall Button 3' (DEC).
- The INC and DEC buttons initially change the zone number by 1. Press 'Scene Recall Button 4' to make the zone number change by 10 each time INC or DEC is pressed. 'Scene Recall Button 4' is illuminated when the x10 multiplier is in effect.
- To fix the new Zone Assignment and exit this mode, press 'Scene Recall Button 1'

- Enter zone assignment mode as described above.
- Press the 'OFF' button on the IR handset to disable scene changes using the handset.
- Press the 'ON' button on the IR handset to enable IR scene changes.
- To exit this mode, press 'Scene Recall Button 1'



IR operation possible with this variant only

Please see our catalogue or website for ordering details of scene plates. We can offer variants on:-

- Plate style
- Plate finish
- Number of buttons
- Colour of buttons
- LED illumination colour

Further to the physical variants, all buttons can be freely configured for purpose using our free software - available from:-

<http://www.wandsworthelectrical.com/downloads/>