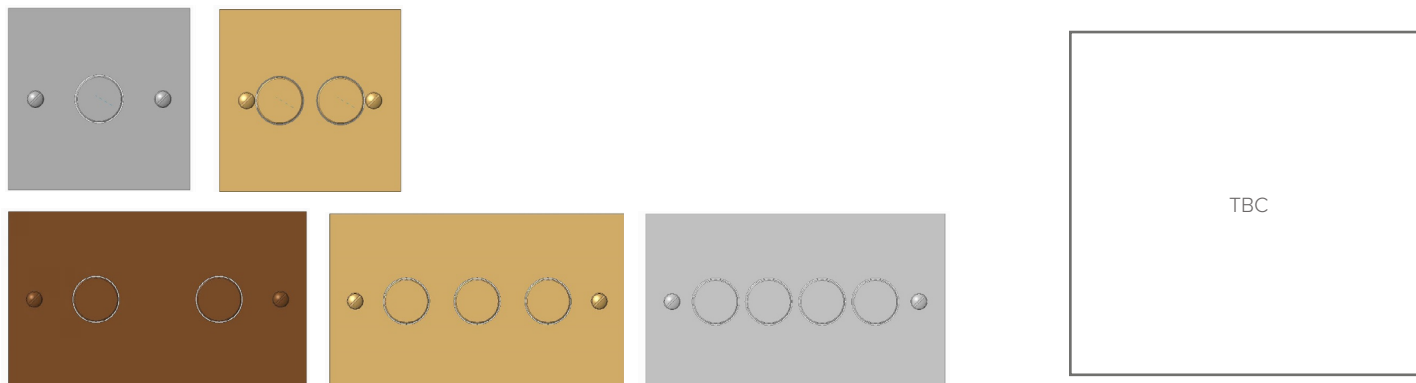


Collection	Finish	Product
Square Edged	TBC	1-4 Gang Dimmer Switch

## Square Edged 1-4 Gang Dimmer Switch



### Description

Rotary dimmers, suitable for use with both LED and incandescent lighting. Push on/push off switch with rotary control dimming. They have two-way switching that may be used with a normal two-way switch elsewhere. Please note the additional two-way switch will have on/off function only and will not dim from the second location.

### Standards, Approvals & Directives

Comply with:

- BS-EN 60669-2-1
- EN-55015

CE Marked

### Finishes

All finishes are individually inspected by the Wandsworth Group, a sign of the high standard we have set for the Square Edged Collection.

### Features

- Push On/Push Off, rotary dimming control
- All products clearly printed with BS No's, ratings, etc
- Complementary control knobs are supplied with the cover plates
- Available in all Square Edged Collection finishes
- 1 - 4 Gang available

### Ordering

When ordering please state in tabular form your requirements for plates/ finishes, interior modules and boxes. Note: Separate grids are not required.

Eg.

**PSQ319/ASI , 3 x RAD , 1703/G**

Where /ASI = plate/knob finish in

Antique silver

Larger/multi-gang dimmers are available to special order and quotation.

See sheet 2 for catalogue numbers.

### Availability

Modules order separately:

Unit	Description	Rating
RTD120	Dimmer (LED) Trailing edge	120 watt max
RLD300	Dimmer (Incandescent) Leading edge	300 watt max
RAD	Dimmer 1-10V	
ROO	On/off module Switch only—not a dimmer Matches dimmer modules in appearance	

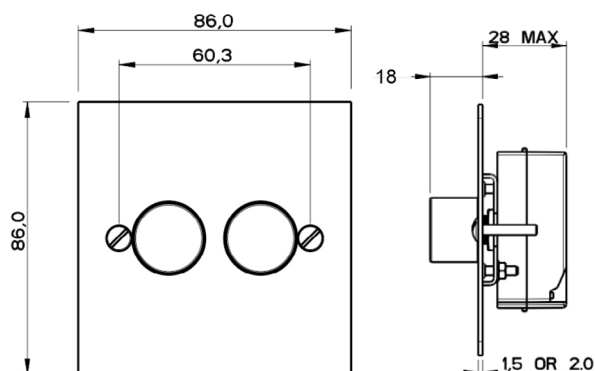
Collection	Finish	Product
Square Edged	TBC	1-4 Gang Dimmer Switch

## Technical Specifications

IP Rating—IP2XD

To suit metal back boxes to BS4662

For technical details of dimmer modules please see individual data sheets.



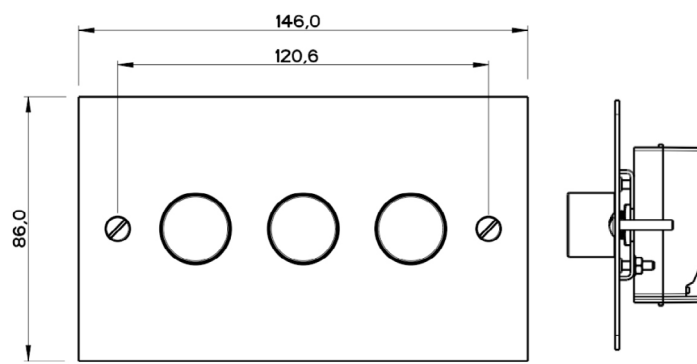
### 2 Gang Dimmer - Single

**Recommended Box Depth:**

35 mm

Metal Boxes to BS4662

**Note:** 1 Gang plate size is the same



### 3 Gang Dimmer - Twin

**Recommended Box Depth:**

35 mm

Metal Boxes to BS4662.

**Note:** 4 Gang plate size is the same.  
Larger 2 gang plate also available in this size.

## Catalogue Numbers

**1 gang—Plate—**PSQ331/\* , Flush box—1702/g, Surface box—1131

**2 gang (single size) - Plate—**PSQ318/\* , Flush box—1702/g, Surface box—1131

**2 gang (twin size) - Plate—**PSQ332/\* , Flush box—1703/g, Surface box—1134

**3 gang - Plate—**PSQ319/\* , Flush box—1703/g, Surface box—1134

**4 gang - Plate—**PSQ320/\* , Flush box—1703/g, Surface box—1134

**Note:**

The Company Policy is one of continuous improvement and the right to change designs, dimensions, descriptive matter, etc., at any time without notice is reserved.