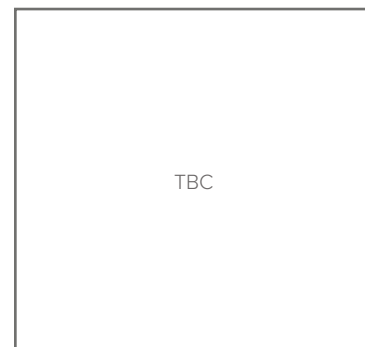


Collection	Finish	Product
Penthouse	TBC	The Penthouse Collection

## Penthouse Collection The Penthouse Collection



### Overview

The Penthouse Collection offers a sleek flat plate, designed for use with our grid mounting interchangeable switches, sockets and modular interiors.

As the name suggests, Penthouse is the most luxurious collection of electrical accessories available from Wandsworth, bringing the highest level of style and design to every room.

### Features

- Patented applied for hidden clip-on fixings
- Plate profile 3.5mm
- Solid Brass rockers to match plate finish.
- High quality brass plate.

### Finishes

The Penthouse Collection is available in the following standard hand-crafted finishes:

**Antique Bronze** - /AB , Antique brass - /AS

**Bright Nickel** - /BN1 , Dark Antique Bronze - /DAB

**Matt Black** - /MB , Polished Brass - /PB

**Satin Nickel** - /SN3 , White - /W

**White Etched Prime** - /WEP

All finishes are manufactured using 1.5mm solid brass plate that is individually inspected by the Wandsworth Group, a sign of the high standard we have set for The Penthouse Collection.

Use a 'soft dry cloth' when cleaning front plates.

### Recommendations

The Plate sizes used throughout the 'flush fitted' Penthouse Collection are available in:

**Single** - 86mm x 86mm

**Twin** - 146mm x 86mm

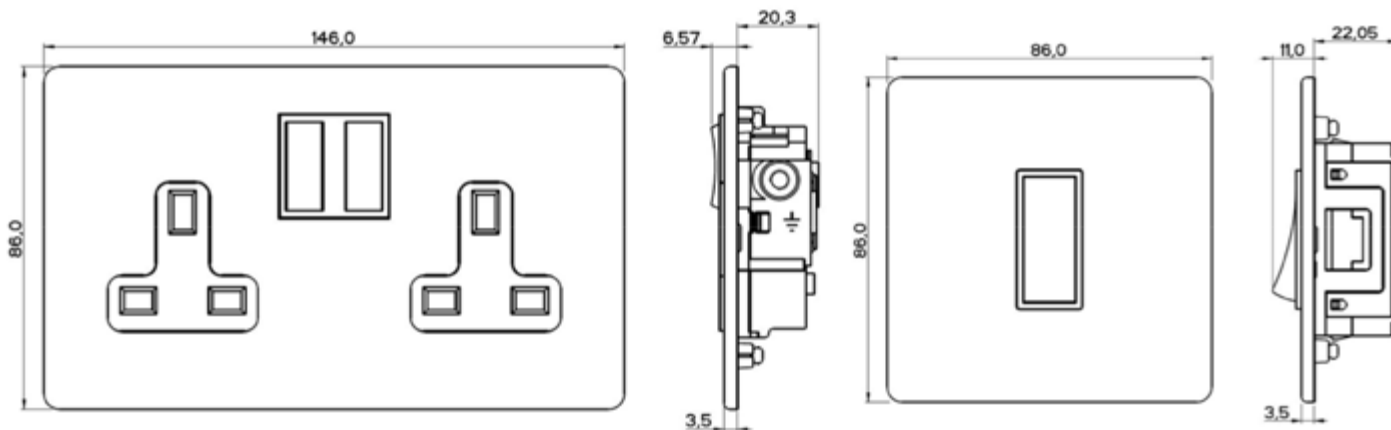
**NOTE:** During installation, ensure the box cut-out is accurate as the box being installed must be a tight fit.

Range designed to suit standard metal back boxes to BS 4662. Not suitable for fast-fix/dry liner or surface boxes.

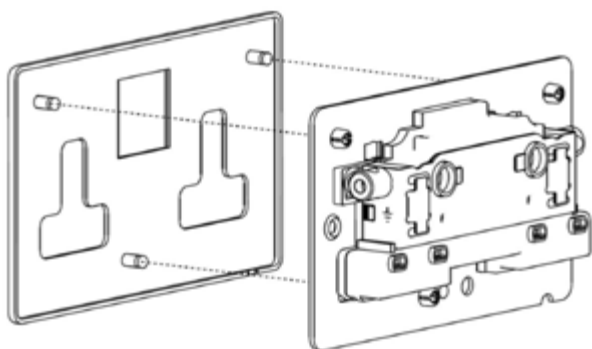
### Ordering

When ordering please state the catalogue number and the plate finish required. Please See Wandsworth catalogue for more information

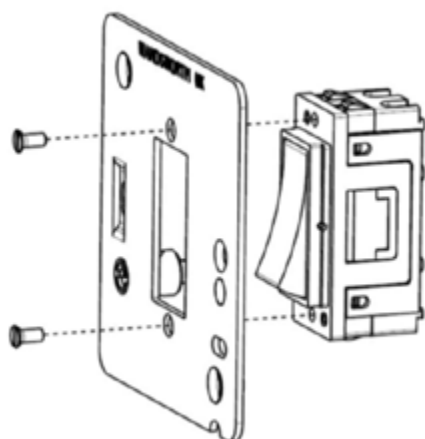
Collection	Finish	Product
Penthouse	TBC	The Penthouse Collection



Exploded view showing a Penthouse front plate attachment.



Exploded view showing a switch module attachment process.



Mounting boxes		
Product	Recommended minimum box	
Rocker Switches	Switch	35mm
	Blank	n/a
	Neon	35mm
	Key Switch	35mm
Palace Toggle Switches	Switch	35mm
	Bell push	35mm
13 Amp Socket	Switched	35mm
	Un-Switched	35mm
5 Amp Socket	35mm	
2 Amp Socket	25mm (If using 1.5mm <sup>2</sup> cable)	
	35mm (If using 2.5mm <sup>2</sup> cable)	
Connection Units	35mm	
45 Amp Double Pole switch	47mm	
Euro Modules	See Euro Modules data sheet	
Modular Interiors	See Modular Interior data sheet	
Pulse	25mm	

**NOTE:**

The Company Policy is one of continuous improvement and the right to change designs, dimensions, descriptive matter, etc., at any time without notice is reserved.