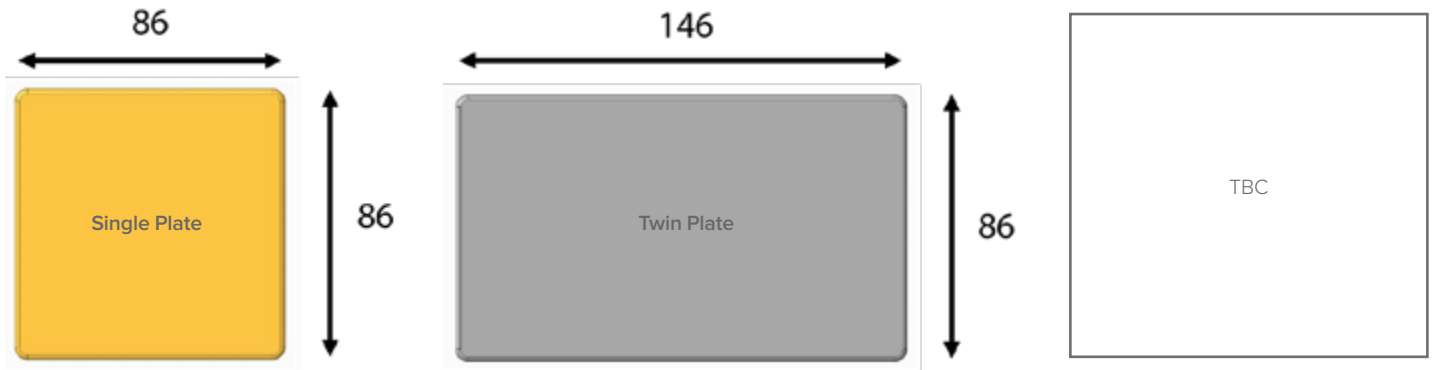


Collection	Finish	Product
Penthouse	TBC	Blank plates & grids

Penthouse Collection Blank plates & grids



Description

Penthouse range blank plates.

Features

- Available in all our Penthouse range of finishes
- Screwless slimline plate profile only 3.5mm thick

Catalogue Numbers

Screwless design means that a grid must be used in conjunction with each plate.

Plate

P415/* - Single

P416/* - Twin

/* = Finish code

Grid

G415 - Single

G416 - Twin

E.g. P415/DAB (Dark Antique Bronze)

To fit flush metal boxes to BS4662.

Not suitable for dry liner or surface mount boxes

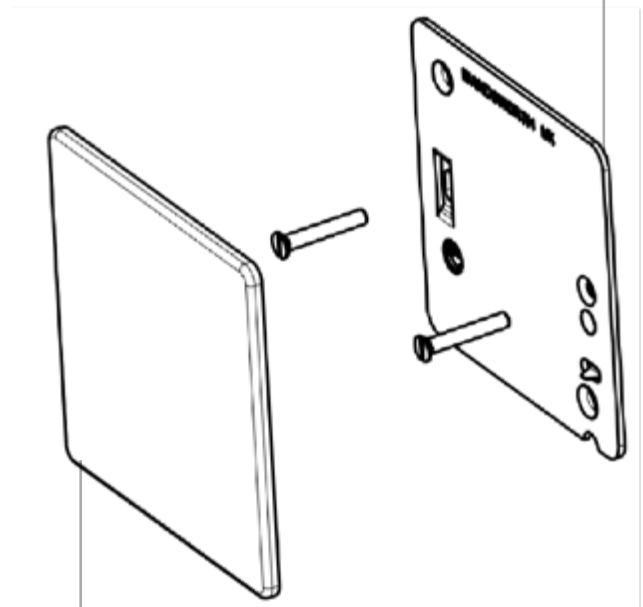
Single - 1702/G

Twin - 1703/G

NOTE:

The Company Policy is one of continuous improvement and the right to change designs, dimensions, descriptive matter, etc., at any time without notice is reserved.

GRID fixes to Flush wall box using fixing screws supplied.



Screwless PLATE simply pushes onto grid.