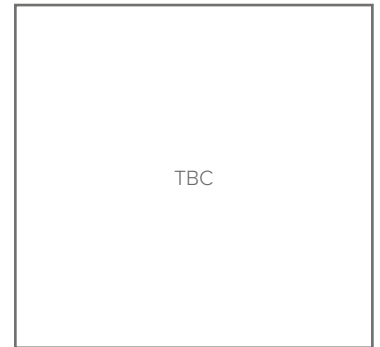
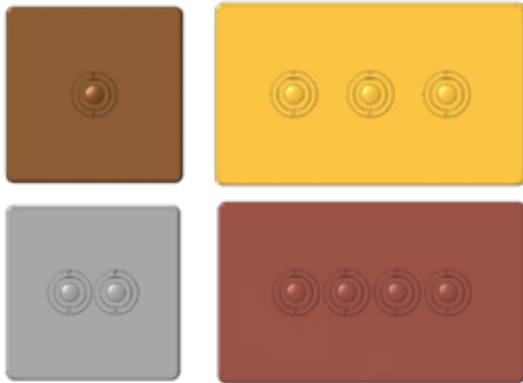


Collection	Finish	Product
Penthouse	TBC	1- 4 Gang Bell Push Switch

## Penthouse Collection 1- 4 Gang Bell Push Switch



### Description

A range of bell-push switches are available in our screwless Penthouse range.

All units have been designed with ease of installation in mind and have the advantageous design features and quality of the Penthouse Collection.

### Standards, Approvals & Directives

Comply with  
BS EN 60669-1

### Features

- All terminal and fixing screws are operated by one-sized screwdriver.
- Fixing ring removal/fitting tool supplied with switches

### Ordering

When ordering please state in tabular form your requirements for plates/ finishes, grid, switch type/finish and box.

Product must always include a plate, grid and switch. Eg.

#### Plate

P481/PB (1 Gang plate in polished brass)

#### Grid

G401 (No finish option for grids)

#### Switch

95/PB

(retractive push-to-make switch with polished brass button and fixing ring)

### Catalogue Numbers

When ordering please state in tabular form your requirements for plates/ finishes, grid, switch type/finish and box.

#### Plate

**P481**/\*- Single plate 1 gang

**P482**/\*- Single plate 2 gang

**P483**/\*- Double plate 3 gang

**P484**/\*- Double plate 4 gang

/\* = plate finish

#### Grid

**G401** - 1 gang

**G402** - 2 gang

**G403** - 3 gang

**G404** - 4 gang

#### Switch: 95/\*

/\* = switch finish

See sheet 2 for type.

See Wandsworth's catalogue for details

### Recommended box depth: 35mm

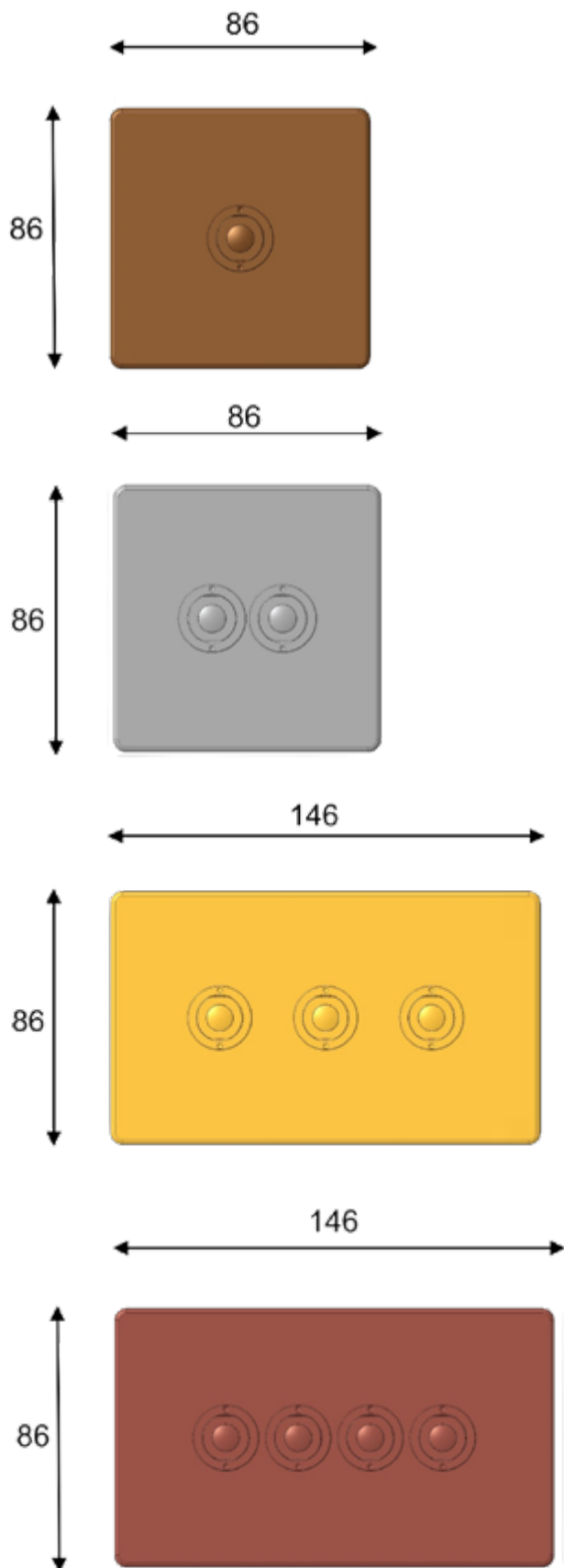
Metal boxes to BS4662

**Single Flush box:** 1702/G (42mm deep)

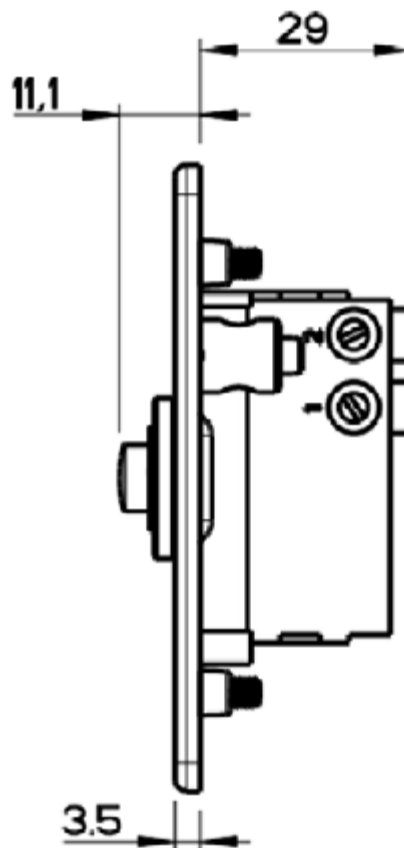
**Twin Flush box:** 1703/G (42mm deep)

Note: Penthouse range is not suitable for surface or dryliner/fast-fix boxes.

Collection	Finish	Product
Penthouse	TBC	1- 4 Gang Bell Push Switch



Side view common to all sizes



Reference	Unit	Type
95/*	Switch	1 Way - 4 Amp Retractive Push to make Off is at rest

**NOTE:**

The Company Policy is one of continuous improvement and the right to change designs, dimensions, descriptive matter, etc., at any time without notice is reserved.