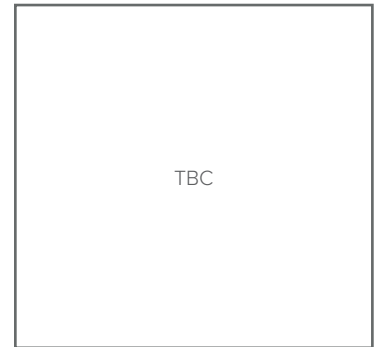


| Collection | Finish | Product |
|------------|--------|------------------------------------|
| Dimensions | TBC | Palace Toggle Switch and Bell Push |

Dimension's Collection - Palace Toggle Switch and Bell Push



Description

Our switch interiors have been designed to be common across all Wandsworth accessory collection. Palace Toggle switches are manufactured from brass and finished to complement or match the cover plates.

Standards, Approvals & Directives

Toggle Switch Conforms to BS EN 60669 - 1: 1999 when assembled to appropriate plate and grid and installed correctly.

ASTA Certificate No: 16240

Features

- Solid Brass Toggle & Push Button
- All products clearly printed with BS No's, ratings, etc
- All toggle switches are available in 20AX and 4A on a bell push
- Two way switch can be wired as one or two way
- Positive switch action
- Toggle switches are screwed to appropriate grids.

Finishes

Palace Toggle Switches are not available to match the following Dimension's Collection plate finishes:

PDB (recommend PB toggles are used for matching)

LB (recommend AB toggles are used for contrast)

QS, W, CW (recommend SBC toggles are used for contrast)

AS, SDB or DG (recommend Satin Brass toggles)

Availability

P1091/* - 1 Gang Toggle Switch Plate

P1092/* - 2 Gang Toggle Switch Plate

Rocker Switches

| Reference | Unit | Type |
|-----------|---------------|-----------------|
| 91/* | Toggle Switch | 1 or 2 Way |
| 92/* | Toggle Switch | Double Pole |
| 93/* | Toggle Switch | Intermediate |
| 94/* | Toggle Switch | 2 Way & Off |
| 95/* | Bell Push | 4A Push to Make |
| E32/* | Spare Ring | |

Ordering

When ordering please state in tabular form your requirements for plate, grid, switch interior and box.

E.g. 2 x 91/PB = 2 - 2 Way Toggle Switch Interior

P1092/* = 2 Gang Toggle Switch Plate

G492 = 2 Gang Toggle Grid

1702 - Flush Metal back box

Please see the Wandsworth Group catalogue for more information and catalogue numbers.

*NOTE: Fixing rings are supplied with all common toggle switches.

| Collection | Finish | Product |
|------------|--------|------------------------------------|
| Dimensions | TBC | Palace Toggle Switch and Bell Push |

TECHNICAL SPECIFICATION

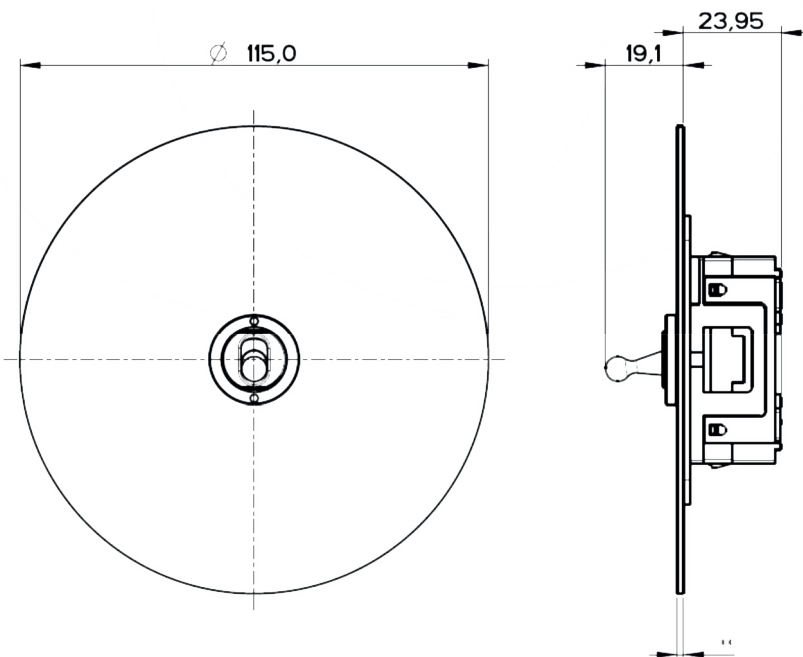
| | Voltage Rating | Current Rating | Terminal Capacity | Ambient Operating Temperature | IP Rating | Max Installation Altitude | No. of Operations |
|----------------------|----------------|----------------|---|-------------------------------|-----------|---------------------------|-------------------|
| PALACE TOGGLE | 250V AC, 50HZ | 20AX | 4 x 1mm ² (Flex) 4 x 1.5mm ² (Solid) 3 x 2.5mm ² (Solid) 2 x 4mm ² (Solid) 1 x 6mm ² (Solid) | -5°C to + 40°C | IP2XD | 2000 Metres | 10,000 |
| BELL PUSH | 250V AC, 50HZ | 4A | 3 x 1mm (Flex) 2 x 1mm (Solid) 2 x 1.5mm (Solid) 1 x 2mm (Solid) 1 x 2.5mm (Solid) | -5°C to + 40°C | IP2XD | 2000 Metres | 40,000 |

P1091/* - 1 Gang Toggle Switch Plate

Recommended Back Box Depth: 35mm

****NOTE:**

Plate thickness will vary between 1.5mm and 2mm dependant upon the chosen plate material and required plate finish.



NOTE:

The Company Policy is one of continuous improvement and the right to change designs, dimensions, descriptive matter, etc., at any time without notice is reserved.