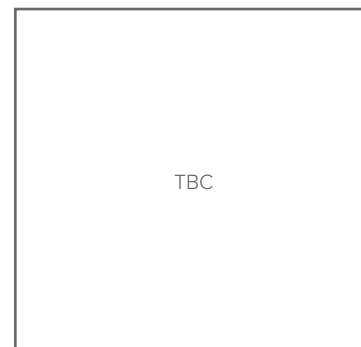
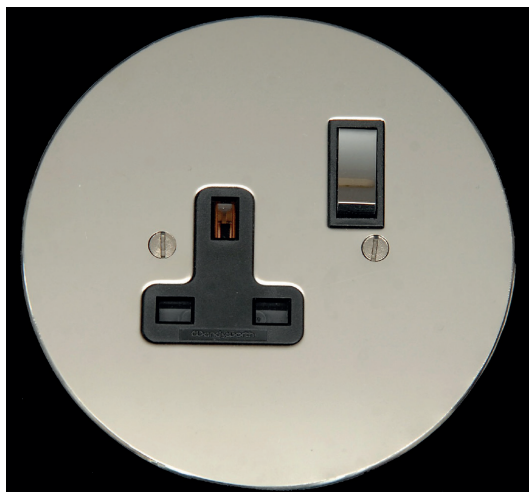


Collection	Finish	Product
Dimension's	TBC	Dimension's 13 amp Socket Outlets

Dimension's Collection 13 amp Socket Outlets



Description

A range of socket outlets have been designed for ease of installation, all having the superior quality and design features of The Dimension Collection.

These products can quickly replace an existing 13 amp socket (assuming suitable mounting box is already in position).

Standards, Approvals & Directives

Comply with BS 1363-2:1995 (Amd 1-3)

Nemko Test Certificate: C12/43399-1

Features

- Matching metal rocker switches available on all switched versions.
- Terminals markings present on housing for clearer identification.
- Switch contacts with silver contacts on both surfaces for good continuity.
- Switched socket outlets have double insulated rockers.
- Red plastic rocker switches available.

Ordering

When ordering please state in tabular form your requirements for plates/ finishes, interior assemblies and boxes.

Please see the Wandsworth Group catalogue for more information and catalogue numbers.

Finishes:

All plate finishes are individually inspected by the Wandsworth Group, a sign of the high standard we have set for The Dimension Collection. Available plate finishes can be found in the Wandsworth catalogue.

The 13amp sockets are available in Red, Blue, Black and White moulded polycarbonate housings.

Availability

13 amp Switched Socket Outlet:

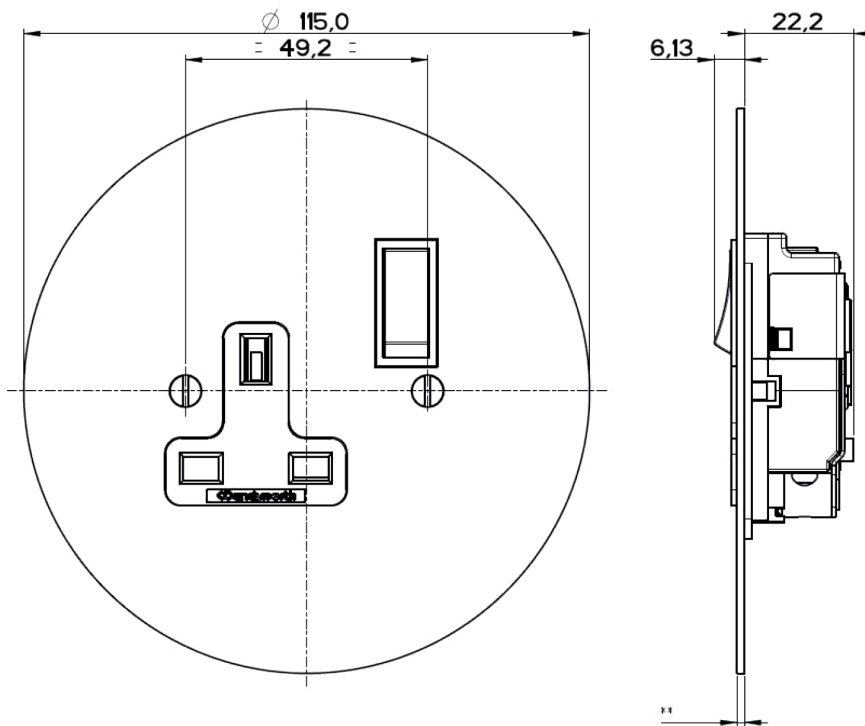
P1074/* - Single Switched Socket Plate

A374/* - Single, Rear Entry, Single Pole Interior

A385/* - Single, Rear Entry, Dual Earth

Collection	Finish	Product
Dimension's	TBC	Dimension's 13 amp Socket Outlets

TECHNICAL SPECIFICATION					
Supply Voltage	Current Rating	Terminal Capacity	Ambient Operating Temperature	Max Installation Altitude	IP Rating
250V AC	13 Amps	Live, Neutral & Earth 3 x 2.5mm ² 3 x 4mm ² 2 x 6mm ² (stranded)	-5°C to +40°C	2000 meters	IP2XD



P1074/* - 13Amp Single Switched Socket Outlet

Recommended Back Box Depth: 35mm

****NOTE:** Plate thickness will vary between 1.5mm and 2mm dependant upon the chosen plate material and required plate finish.

NOTE:

The Company Policy is one of continuous improvement and the right to change designs, dimensions, descriptive matter, etc., at any time without notice is reserved.