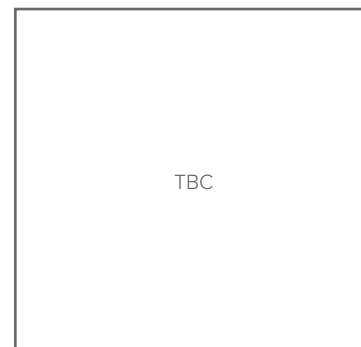
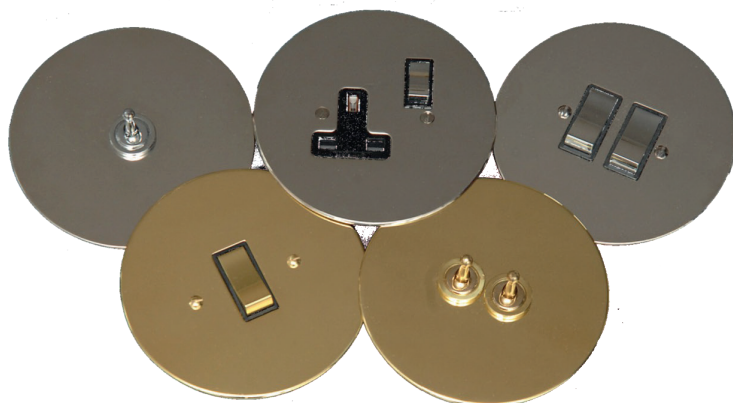


Collection	Finish	Product
Dimension's	TBC	Dimension's Collection Overview

Dimension's Collection Overview



Overview

The Dimensions Collection offers a sleek circular flat plate that has been designed for use with our grid mounting interchangeable switches, sockets and modular interiors.

The Dimension's Collection offers a unique style for a modern and contemporary environment.

Features

- Unique circular plate design
- Steel, Brass or Aluminium plates available
- Slim plate profile
- Multiple finishes available for a wide range of different environments

Availability

Various grid mounting interchangeable switches and sockets are available throughout The Dimensions Collection.

Catalogue Numbers:

- P1091**/* - 1 Gang Toggle Switch Plate
- P1092**/* - 2 Gang Toggle Switch Plate
- P1001**/* - 1 Gang Rocker Switch Plate
- P1002**/* - 2 Gang Rocker Switch Plate
- 1031**/* - 1 Gang Dimmer Switch Plate
- 1018**/* - 2 Gang Dimmer Switch Plate
- P1151**/* - 2amp Socket Outlet Plate
- P1085**/* - 5amp Socket Outlet Plate
- P1074**/* - 13amp Single Switched Socket Outlet Plate

Rocker and Toggle Switches can be finished to compliment the plate finish. Likewise for the dimmer knobs. Please see catalogue for more information on finishes.

The 13amp sockets are available in Black and White moulded polycarbonate housings.

Recommendations:

The Dimensions Collection plates are circular and are available in either 1.5mm Steel, or 2.0mm Brass or Aluminium. The plate material is dependant upon the required finish of the plate.**

Plate sizes are 115mm in diameter.

Ordering

When ordering please state the catalogue number, interior and the plate finish required.

Please see Wandsworth catalogue for more information.

Finishes

All finishes are individually inspected by the Wandsworth Group, a sign of the high standard we have set for The Dimension's Collection.

All available plate finishes can be found in the Wandsworth Electrical Accessories Catalogue and are the same as those detailed for our Classic Collection.

Interior Finishes available:

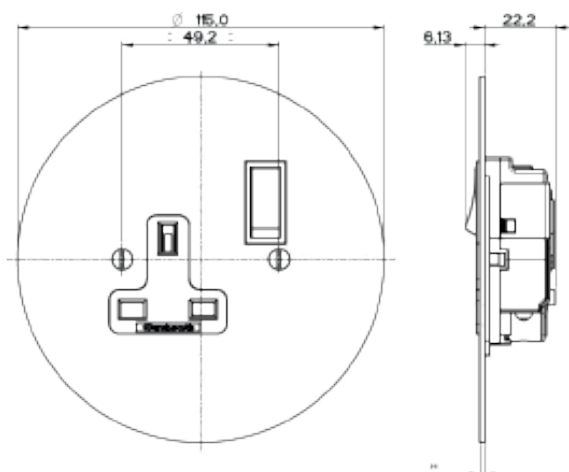
/B - Black, /W - White

Use a 'soft dry cloth' when cleaning front plates.

Collection	Finish	Product
Dimension's	TBC	Dimension's Collection Overview

MOUNTING BOXES

PRODUCT	RECOMMENDED MINIMUM BOX DEPTH
Rocker Switches - Switch:	35 mm
Rocker Switches - Blank:	n/a
Rocker Switches - Neon:	35 mm
Rocker Switches - Key Switch:	35 mm
Palace Toggle Switches - Switch	35 mm
Palace Toggle Switches - Bell Push	35 mm
13Amp Sockets - Switched:	35 mm
Pulse:	35 mm
2 & 5 Amp Sockets:	35 mm (if using 2.5mm ² cable)
Dimmers:	35mm

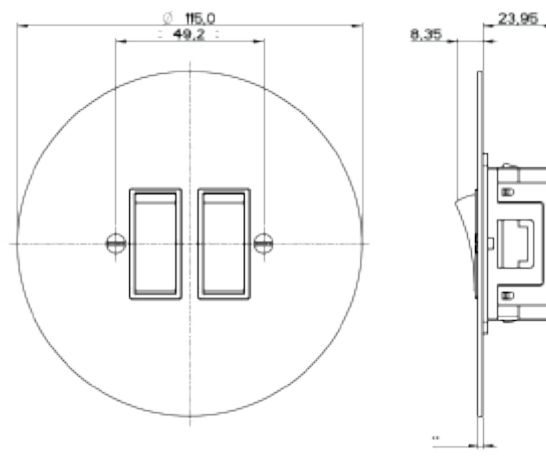


P1074/* - 13AMP Single Switched Socket Outlet

Recommended Back Box Depth: 35mm

**NOTE: Plate thickness will vary between 1.5mm and 2mm dependant upon the chosen plate material and required plate finish.

See 'Recommendations' for explanation.



P1002/* - 2 Gang Rocker Switch P1002/* - 2 Gang Rocker Switch

Recommended Back Box Depth: 35mm

**NOTE: Plate thickness will vary between 1.5mm and 2mm dependant upon the chosen plate material and required plate finish.

See 'Recommendations' for explanation.

Note: The Company Policy is one of continuous improvement and the right to change designs, dimensions, descriptive matter, etc., at any time without notice is reserved.