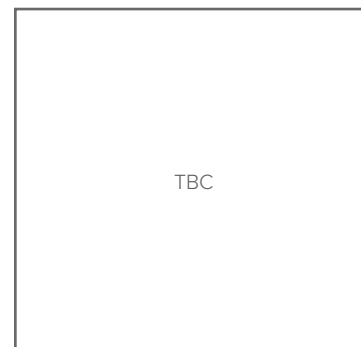


Collection	Finish	Product
Crystal	TBC	Crystal Collection Overview

The Crystal Collection Overview



Overview

With individual interior design in mind, we have combined subtle elegance, ingenuity and quality craftsmanship to create The Crystal Collection

Wall finishes are clearly visible through the transparent plates, yet protected by the durable, scratch-resistant acrylic.

The design features an adjustable fixing grid, mounted within the back box, so the switches can be wired and connected without the cover plate. Once the decorating is complete, cover plates can then be fitted.

Features

- Flush fitting low profile plates
- Screw fixing plate attachment
- Single and Twin Plates available
- Hard wearing
- Scratch-resistant
- Transparent Acrylic plates

Finishes

The Crystal Collection is available in the following hand polished and hand crafted finishes:

- Polished Brass - /PB
- Antique Bronze - /AB
- Bright Nickel - /BN1
- Satin Nickel - /SN3

All finishes are individually inspected by the Wandsworth Group, a sign of the high standard we have set for The Crystal Collection.

Use a 'soft dry cloth' when cleaning front plates.

Recommendations:

The plate sizes used throughout The Crystal Collection are as follows:

Single - 86mm x 86mm

Twin - 146mm x 86mm

Ordering

When ordering please state in tabular form your requirements for finish, interior assemblies and boxes.

E.g. **P354/CL/PB** = Twin sw 13Amp Socket Plate with polished brass fixing screws

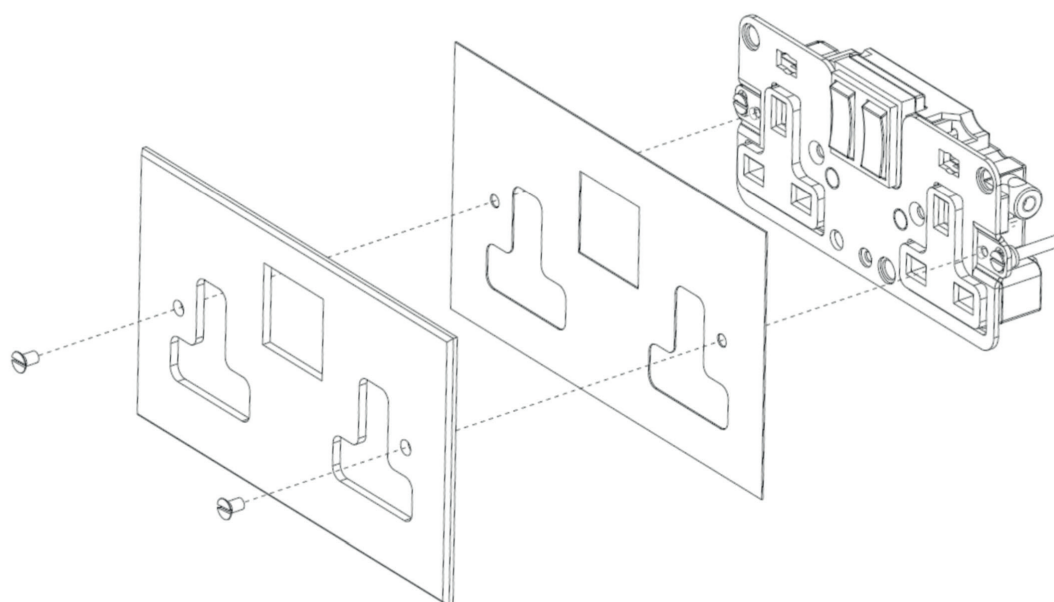
A354/D/PB = Twin sw 13Amp Socket Interior with polished brass rockers, black moulding

1703 = Twin size box, flush (metal)

Collection	Finish	Product
Crystal	TBC	Crystal Collection Overview

MOUNTING BOXES

PRODUCT	RECOMMENDED MINIMUM BOX DEPTH
Rocker Switches - Switch:	35 mm
Rocker Switches - Blank:	n/a
Rocker Switches - Neon:	35 mm
Rocker Switches - Key Switch:	35 mm
Crystal Toggle/Bell Push Switches:	35 mm
Crystal Rotary Dimmers:	35 mm
13Amp Sockets - Switched:	35 mm
13Amp Sockets - Un-Switched:	35 mm
2 & 5 Amp Sockets:	35 mm
Modular Interiors:	See individual data sheets



An exploded view showing a 13 Amp Twin Switched Socket Outlet assembly.

Note: The Company Policy is one of continuous improvement and the right to change designs, dimensions, descriptive matter, etc., at any time without notice is reserved.