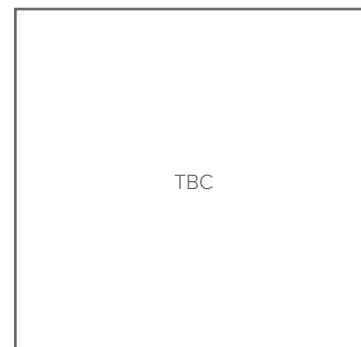


Collection	Finish	Product
Dimensions	TBC	Rocker Switch

Dimension's Collection - Rocker Switch



Description

Our switch interiors have been designed to be common across all Wandsworth accessory collections. Rocker switches are manufactured from brass, aluminium or plastic and finished to complement or match the cover plates.

Standards, Approvals & Directives

Conforms to BS EN 60669 - 1: 1999 when assembled to appropriate plate and grid and installed correctly.

ASTA Certificate No: 16240

Features

- Solid Brass/Aluminium rockers
- Two way switches can be wired as one or two way
- All products clearly printed with BS No's, ratings, etc
- 3mm switch contact gap
- Positive switch action
- All switches can be clipped or screwed to appropriate grids.

Finishes

Key switches are white or black polyester housing. Red switches are available for special applications such as essential supply, etc.

Alternative combinations can be supplied to order.

Neon's are available in Red and Green

lenses with red, black and white frames.

Rockers are solid metal finished to match plate finish.

Alternatively can be specified in white or black plastic. (red special order).

Availability

P1001/* - 1 Gang Rocker Switch Plate

P1002/* - 2 Gang Rocker Switch Plate

Rocker Switches

Reference	Unit	Type
11/*	Switch	1 or 2 Way 20Amp
12/*	Switch	Double Pole 20 Amp
13/*	Switch	Intermediate 20 Amp
14/*	Switch	2 Way & Off 20 Amp
15/*	Switch	6amp 2 Way Retractive
17/*	Switch	6amp 2 Way & Off Retractive
18/*	Blank	Dummy
19/R/*	Neon	Red with Red Trim
19/B/*	Neon	Red Lens with Black Trim
19/W/*	Neon	Red Lens with White Trim
19/GR/W/*	Neon	Green Lens with White Trim
19/GR/B/*	Neon	Green Lens with Black Trim
21/*	Key Switch	2 Way 20 Amp
22/*	Key Switch	Double Pole 20 Amp
23/*	Key Switch	Intermediate 20 Amp
24	Spare Key	

Ordering

When ordering please state in tabular form your requirements for plates/ finishes, grids, interiors and boxes.

E.g. 2 x 11/PB = 2 - 2 way switches, polished brass

P1002/PB - 2 Gang Plate, polished brass

G202 - 2 Gang Switch grid

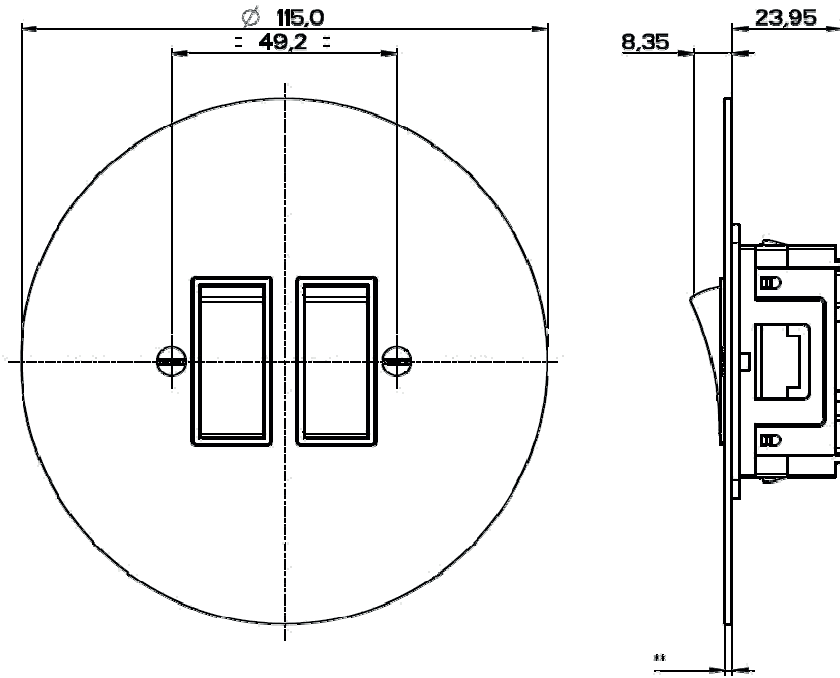
1702 - Flush Metal back box

Please see the Wandsworth Group catalogue for more information and catalogue numbers.

Collection	Finish	Product
Dimensions	TBC	Rocker Switch

TECHNICAL SPECIFICATION

Supply Voltage	Current Rating	Terminal Capacity	Ambient Operating Temperature	IP Rating	Max Installation Altitude	No. of Operations
250V AC, 50HZ	20AX	4 x 1mm ² 4 x 1.5mm ² 3 x 2.5mm ² 2 x 4mm ² 1 x 6mm ²	-5°C to + 40°C	IP2XD	2000 Metres	10,000 (20AX Rating) 40,000 (6AX Rating)



P1002/* - 2 Gang Rocker Switch

Recommended Back Box Depth: 35mm

****NOTE:**

Plate thickness will vary between 1.5mm and 2mm dependant upon the chosen plate material and required plate finish.

NOTE:

The Company Policy is one of continuous improvement and the right to change designs, dimensions, descriptive matter, etc., at any time without notice is reserved.