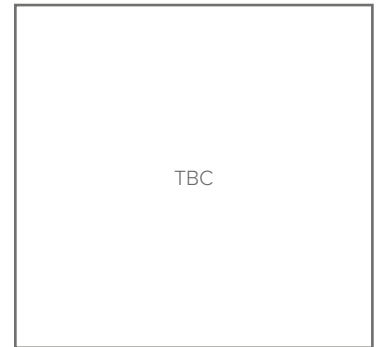


Collection	Finish	Product
Infinity	TBC	2 & 5amp Socket Outlets

Infinity Collection 2 & 5amp Socket Outlets



Description

A range of round pin socket outlets have been designed for ease of installation, all having the superior quality and design features of The Infinity Collection.

Standards and Approvals

Conforms to BS 546.

Availability

Our 2amp and 5amp un-switched sockets are available in Black and White polycarbonate moulded housings and are supplied as interiors and grids throughout The Classic, Infinity, Dimension, Crystal and Penthouse Collections.

All plate finishes available. Please see the Wandsworth Catalogue for more information.

Features

- Top access terminals making wiring easier and quicker.
- Shutter safety feature.
- Terminal markings present on socket housings for clearer identification.
- Black and White housings available to compliment plate finishes.
- Automatic primary switching on insertion of plug.

Applications and Uses

Our 2amp and 5amp socket outlets can be used for lighting circuits that demand low amperages.

Ordering

Both the 2amp and 5amp socket outlets are available with all the benefits of The Infinity Collection. When ordering please state in tabular form your requirements for plates/finishes, interior assemblies and boxes.

Catalogue Numbers:

Interiors:

A921* - 2amp Socket Outlet

A922* - 5amp Socket Outlet

Plates:

P921* - 2amp Plate

P922* - 5amp Plate

*Interior Finishes available:

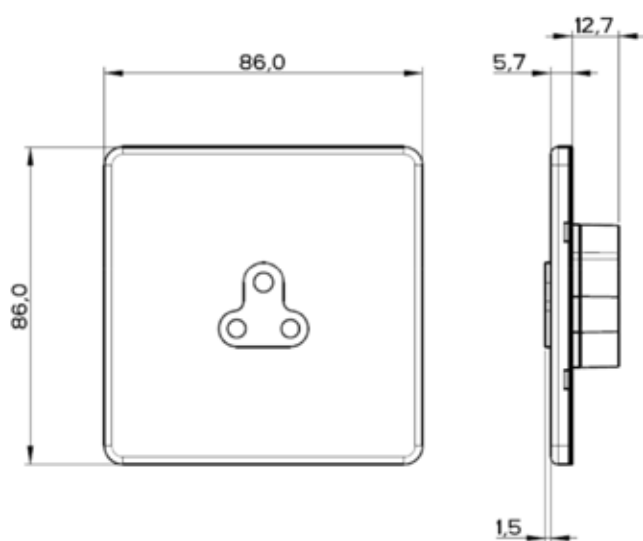
/B – Black, /W - White

Box: 1702/G—Single flush box

Collection	Finish	Product
Infinity	TBC	2 & 5amp Socket Outlets

TECHNICAL SPECIFICATION

Supply Voltage	Terminal Capacity	Ambient Operating Temperature	IP Rating	Max Installation Altitude
250V AC	2 Amp Socket Live, Neutral & Earth 1 x 2.5 mm ² 2 x 2.0 mm ² 2 x 1.5 mm ² 4 x 1.0 mm ²	-5°C to +40°C	IP2XD	2000 meters
250V AC	5 Amp Socket Live, Neutral & Earth 1 x 2.5 mm ² 2 x 2.0 mm ² 2 x 1.5 mm ² 4 x 1.0 mm ²	-5°C to +40°C	IP2XD	2000 meters



2amp Socket Outlet

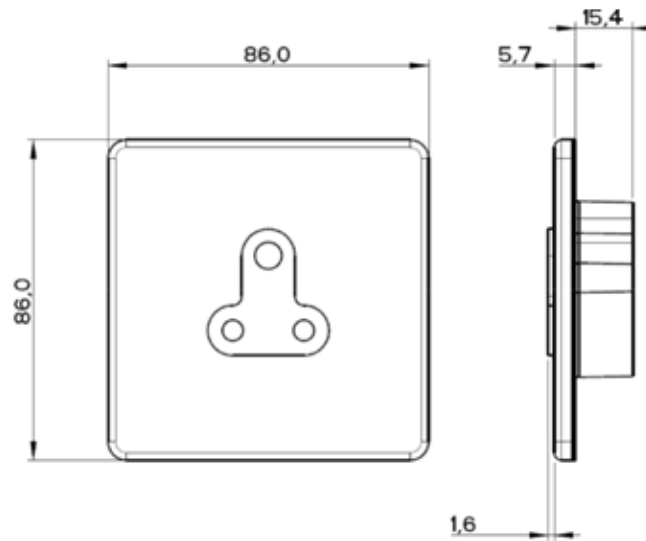
Depth:

13 mm

Recommended Box Depth:

35 mm

Metal boxes to BS4662



5amp Round Pin Socket Outlet

Depth:

16 mm

Recommended Box Depth:

35 mm Box

Metal boxes to BS4662

NOTE:

The Company Policy is one of continuous improvement and the right to change designs, dimensions, descriptive matter, etc., at any time without notice is reserved.