

Infinity Collection - Dimmers

Standards, Approvals & Directives

Comply with
BS-EN 60669-2-1
CE Marked

Description

Rotary dimmers, suitable for use with both LED and incandescent lighting. Push on/push off switch with rotary control dimming. They have two-way switching that may be used with a normal two-way switch elsewhere. Please note the additional two-way switch will have on/off function only and will not dim from the second location.

Availability

Modules order separately:

| Unit | Description | Rating |
|---------------|---|--------------|
| RTD120 | Dimmer (LED) Trailing edge | 120 watt max |
| RLD300 | Dimmer (Incandescent) Leading edge | 300 watt max |
| RAD | Dimmer 1-10V | |
| ROO | On/off module Switch only—not a dimmer Matches dimmer modules in appearance | |

Finishes

All finishes are individually inspected by the Wandsworth Group. This ensures the highest standard is achieved.

A large range of finishes is available in the infinity collection please see catalogue for details.



P971/SS - Single gang dimmer shown

Features

- Push On/Push Off, rotary dimming control
- All products clearly printed with BS No's, ratings, etc
- Complementary control knobs are supplied with the cover plates
- Available in all The Infinity Collection finishes
- 1 - 4 Gang available

Ordering

When ordering please state in tabular form your requirements for plates/finishes, interior assemblies and boxes.

E.g. P971/SS = 1 gang plate, satin stainless steel, satin knob.

G911 = 1 gang grid

RTD120 = 120W LED dimmer interior

1702/G = 1 gang box, flush (metal)

Please see sheet 2 for catalogue numbers. More information available in full catalogue.

Tel: +44(0)1483 713 400

Email: sales@wandsworthgroup.com

Infinity Collection - Dimmers

Technical Specification

IP Rating—IP2XD

To suit metal back boxes to BS4662

For technical details of dimmer modules please see individual data sheets.

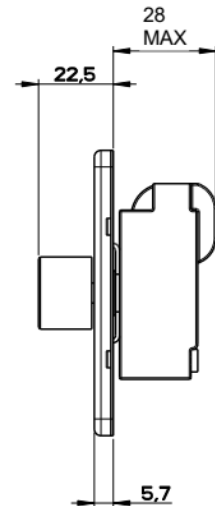
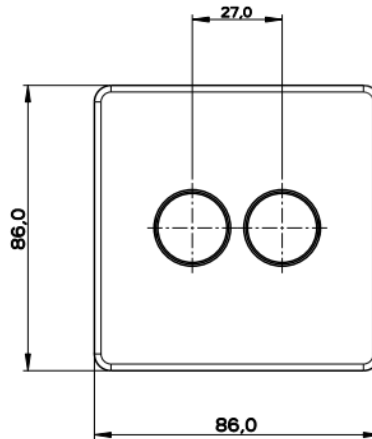
2 Gang Dimmer - Single

Recommended Box Depth:

35 mm

Metal Boxes to BS4662.

Note: 1 Gang plate size is the same



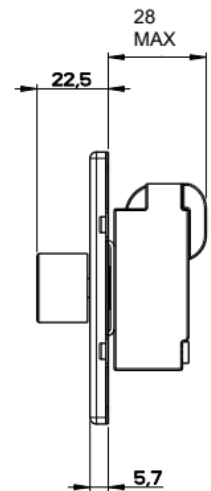
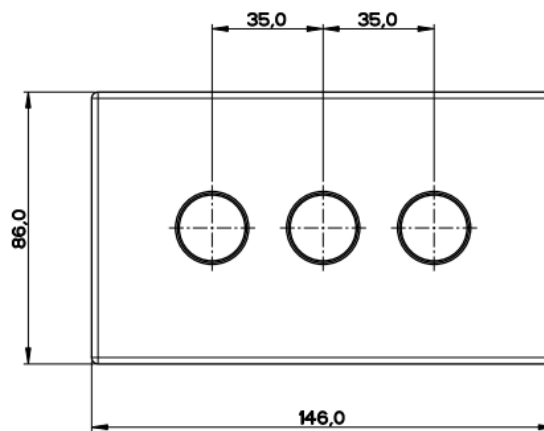
3 Gang Dimmer - Twin

Recommended Box Depth:

35 mm

Metal Boxes to BS4662.

Note: 4 Gang plate size is the same. Larger 2 gang plate also available in this size.



Catalogue numbers:

- 1 gang—Plate—P971/* , Grid—G911 , Box—1702/G
- 2 gang (single size)—Plate—P918/* , Grid—G918, Box—1702/G
- 2 gang (twin size)—Plate—P972/* , Grid—G912 , Box—1703/G
- 3 gang—Plate—P919/* , Grid—G919 , Box—1703/G
- 4 gang—Plate—P920/* , Grid—G920 , Box—1703/G

Note: The Company Policy is one of continuous improvement and the right to change designs, dimensions, descriptive matter, etc., at any time without notice is reserved.