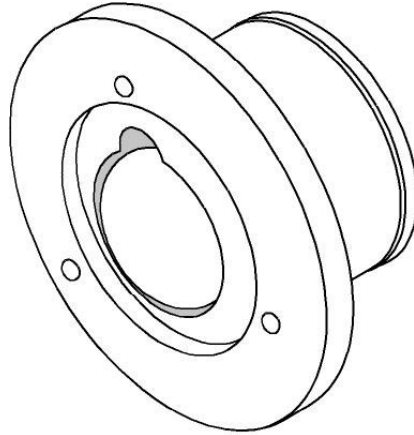


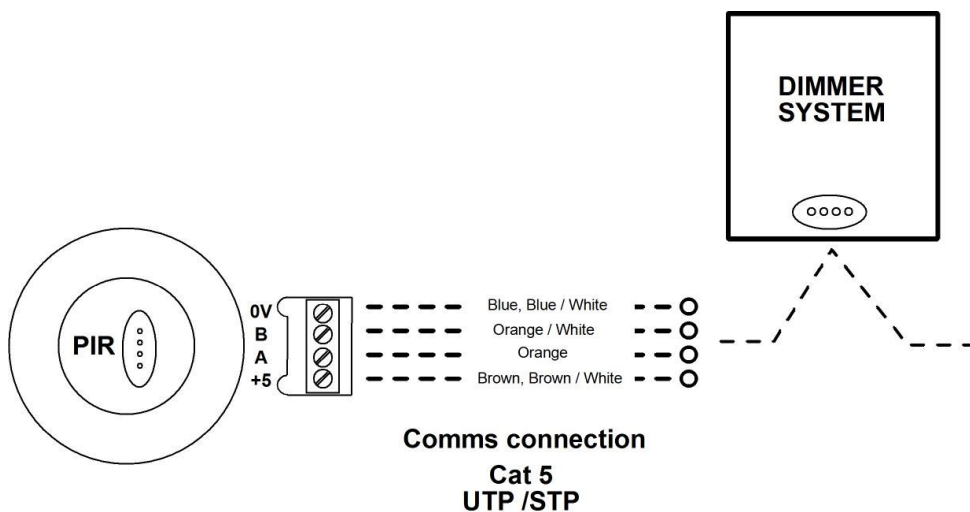
## WLC PIR

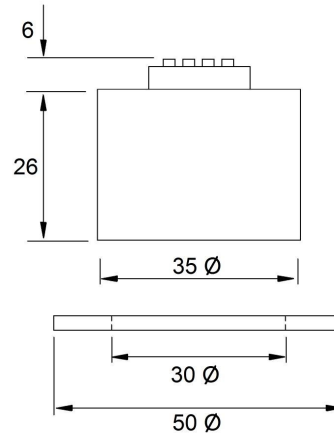
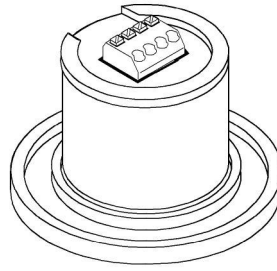
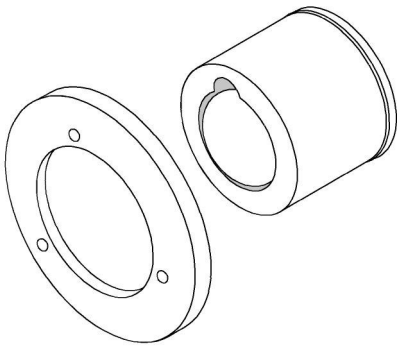


The PIR Sensor is a network connected device that works in conjunction with the lighting control system, creating the possibility of either full automation (presence detection) or semi automation (absence detection). It works in exactly the same way as a typical security PIR, which senses small temperature changes caused by people moving around in the vicinity.

In common with control plates, it communicates with the rest of the lighting system over the CAT5 low voltage wiring.

The PIR has an integrated receiver and red/green LEDs. This same receiver doubles as a normal IR receiver which can recall scenes and adjust lighting levels using the optional IR remote control handset.





## Operation

The PIR Sensor has been designed to mount in standard down-lighter holders, either 35mm diameter (MR11) or using the adapter ring, 50mm diameter (MR16).

In order to adjust the coverage area (a cone of 5 metres diameter at 2.5 metre height), tilting holders may be used.

The PIR can be set to operate either in PRESENCE mode or in ABSENCE mode.

In PRESENCE mode, the PIR will turn a lighting scene ON when it sees activity in its field of view, and will turn the scene OFF at a predetermined time after activity ceases.

In ABSENCE mode, the user has to turn ON the lighting scene with a standard control plate, and the PIR will turn OFF that scene at a predetermined time after activity ceases.