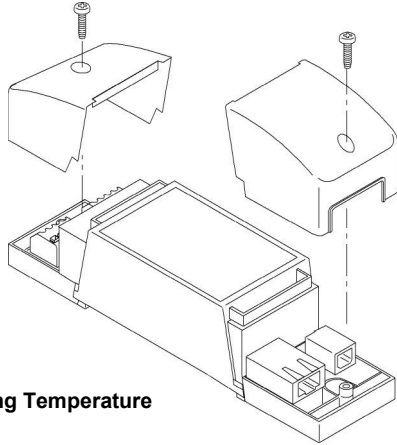


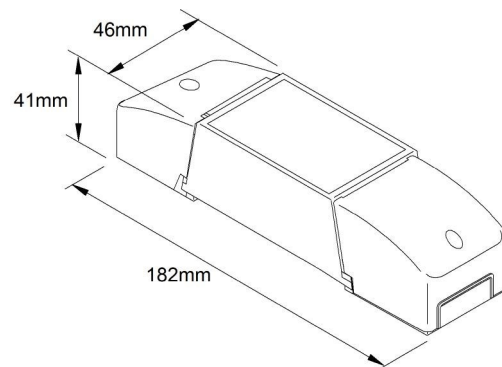
WLC INNET



Operating Temperature

Min 0°C

Max 40°C Ambient



The Network Interface (Netbox) module forms a hardware protocol bridge between an Ethernet Port and the Wandsworth data bus (CAT-5 connection). The main use for this Netbox is to allow remote control from mobile devices, primarily within the WIFI network of a property, though control is possible from a remote location if required (via the internet broadband connection/router).

The Wandsworth app requires a Netbox to connect to the rest of the system. Once connected it can make adjustments to light levels on any channel, store new scenes, recall scenes, enable or disable 'home & away'. Several timers are provided for timed events, additionally an astronomical clock is available, which can determine dawn and dusk from the GPS location of the mobile device.

Geofencing is also possible, to turn on driveway lights and open gates automatically etc, when the mobile device used comes into range of the home WIFI network.

DMX control is a further feature of the netbox, please see our DMX application note for more details.

