

Classic Square Corner Collection - Fan Isolator Unit

Standards and Approvals

BS EN 60947-3

Description

The Fan Isolator Unit provides a safe and simple method of isolating mechanical fan units and is particularly useful in bathrooms, toilets, storerooms and basements where there is little or no natural light.

All units have been designed with ease of installation in mind and have the advantageous design features and quality of the Classic Square Corner Collection.

Features

- Can be used as a double or triple pole isolator.
- Includes a clear ON/OFF indicator and the face plate includes a fan isolator symbol for easy circuit identification.
- Includes a lockable rocker allowing the unit to be locked in the ON or OFF position.
- Metal rockers available to compliment plate finishes.

Availability

A Fan Isolator Units are available in a single gang arrangement with all The Classic Square Corner Collection plate finishes available.

Rockers available in the following finishes: B, BC, SC, PB and W.

For more information on plate/rocker finish combinations, please see page 20 of The Wandsworth catalogue.

Ordering

When ordering please state in tabular form your requirements for plates/finishes, interior assemblies and boxes.

Catalogue Number:
SQ2990/*

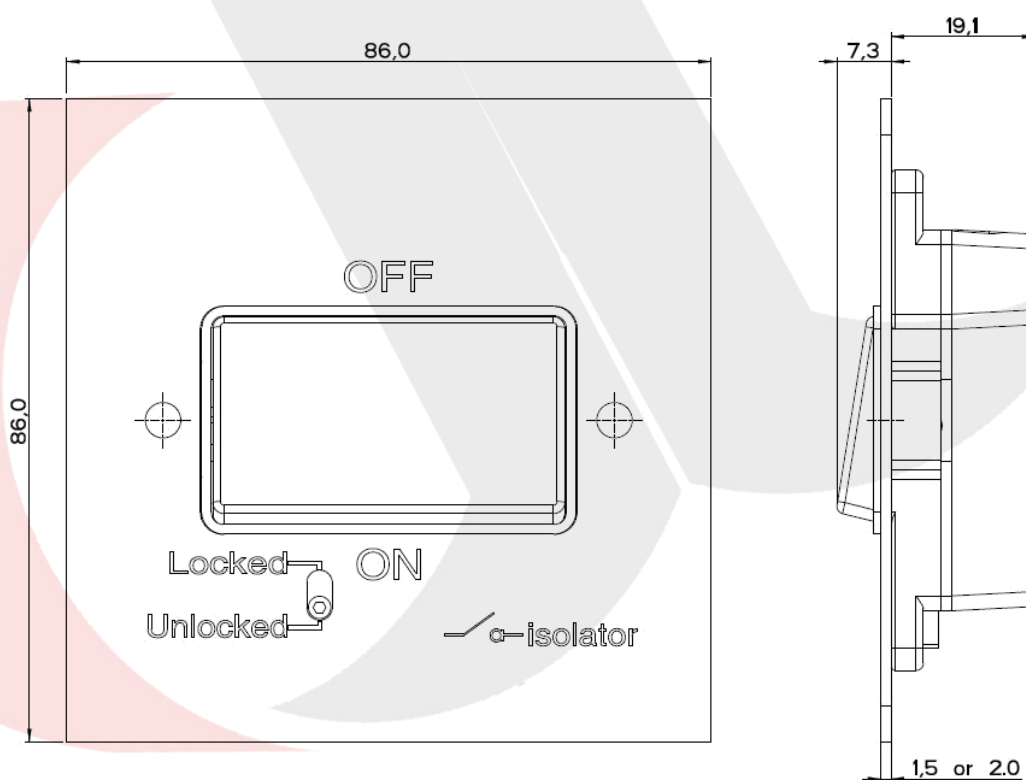
Fan Isolator Unit Depth = 16mm
Recommended Box Depth = 35mm
Metal boxes to BS4662

Please see the Wandsworth Group catalogue for more information and catalogue numbers.

Tel: +44(0)1483 713 400
Email: sales@wandsworthgroup.com

Classic Square Corner Collection - Fan Isolator Unit

Technical Specification	
Supply Voltage:	250V 50Hz
Current Rating:	10A
Terminal Capacities:	Live, Neutral and Earth: 4 x 1.0mm ² 3 x 1.5mm ² 2 x 2.5mm ² 1 x 4.0mm ²
Utilization Category:	AC23B
Operating Temperature:	-5°C to + 40°C
IP Rating:	IP2X
Max Installation Altitude:	2000 meters



Fan Isolator Unit

Depth = 19mm

Recommended Box Depth = 35mm
Metal boxes to BS4662