

## Classic Square Corner Collection - 2amp & 5amp Socket Outlets

### Standards and Approvals

Conforms to BS 546.

### Description

A range of round pin socket outlets have been designed for ease of installation, all having the superior quality and design features of the Classic Square Corner Collection.

### Features

- Top access terminals making wiring easier and quicker.
- Shutter safety feature.
- Terminal marking present on socket housing for clearer identification.
- Black and White housings available to compliment plate finishes.
- Automatic primary switching on insertion of plug

### Availability

Our 2amp and 5amp un-switched sockets are available in Black and White polycarbonate moulded housings and are supplied as interior with grids throughout Classic, Infinity, Dimension and Penthouse Collections.

All plate finishes available. Please see the Wandsworth Catalogue for more information.

### Applications & Uses

Our 2amp and 5amp socket outlets can be used for lighting circuits that demand low amperages.



### Ordering

Both the 2amp and 5amp socket outlets are available with all the benefits of the Classic Square Corner Collection. When ordering please state in tabular form your requirements for plates/finishes, interior assemblies and boxes.

#### Catalogue Numbers:

**Interiors:** A2151/\* - 2amp Socket Outlet

A205/\* - 5amp Socket Outlet

**Plates:** PSQ2151/\* - 2amp Plate

PSQ285/\* - 5amp Plate

#### \*Interior Finishes available:

/B – Black, /W - White

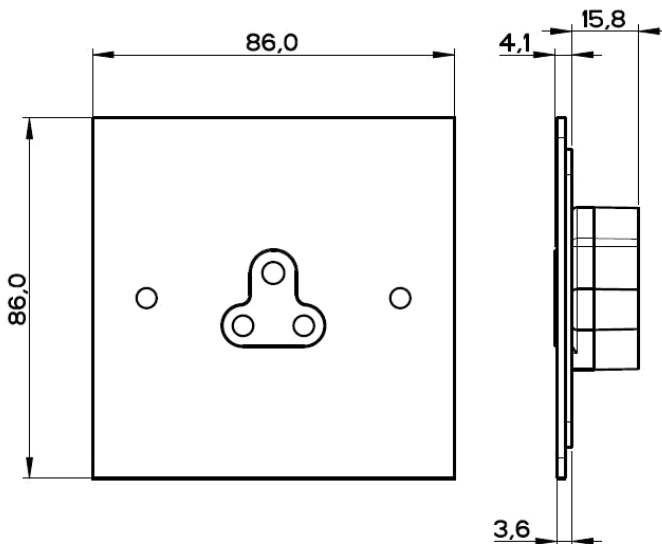
Tel: +44(0)1483 713 400

Email: sales@wandsworthgroup.com

# Classic Square Corner Collection - 2amp & 5amp Socket Outlets



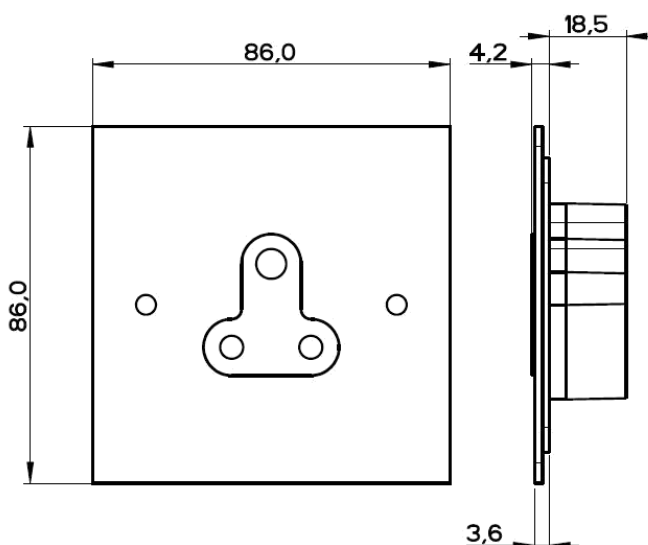
Technical Specification		
Supply Voltage:	250V AC	
Terminal Capacities:	<b>2 AMP Socket</b>	<b>5 AMP Socket</b>
	Live, Neutral & Earth	Live, Neutral & Earth
	1 x 2.5 mm <sup>2</sup>	1 x 2.5 mm <sup>2</sup>
	2 x 2.0 mm <sup>2</sup>	2 x 2.0 mm <sup>2</sup>
	2 x 1.5 mm <sup>2</sup>	2 x 1.5 mm <sup>2</sup>
	4 x 1.0 mm <sup>2</sup>	4 x 1.0 mm <sup>2</sup>
Ambient Operating Temperature:	-5°C to +40°C	
IP Rating:	IP2XD	
Max Installation Altitude:	2000 meters	



2amp Round Pin Socket Outlet

**Depth:**  
2amp Socket – 16mm

**Recommended Box Depth:**  
2Amp Round Pin Socket - 35mm  
Box  
Metal boxes to BS4662



5amp Round Pin Socket Outlet

**Depth:**  
5amp Socket – 19mm

**Recommended Box Depth:**  
5Amp Round Pin Socket – 35mm Box  
Metal boxes to BS4662