

Euromod—RJ45 Cat 6a STP

Standards, Approvals & Directives

Meets or exceeds all applicable standards: UL Listed (not including faceplate), TIA/EIA 568C.2 & ISO/IEC 11801 standard.

2011/65/EC—RoHS Directive

Description

The Cat 6aSTP (Shielded Twisted Pair) RJ45 outlet has been designed to network various networkable devices such as a cable or DSL modem, home routers, PC's and Macs.

The outlet is backward compatibility with cat 5/5e Ethernet networking standards.

Features

- Capable of gigabit transmission providing a performance of up to 500MHz.
- IDC labelling individually numbered EIA 258A/568B.
- Clip-In Module for quick and easy installation
- Black or white modules available
- Fully compatible with all 10BASE-T/10BASE-TX, 100BASE-T/100BASE-TX and 1000BASE-T/T10BASE-X Ethernet networks.
- 360° Shielding

Availability

All Euromod outlets are available for all our collections of wiring accessory plates and can be specified to contain single or multiple outlets depending upon requirement.

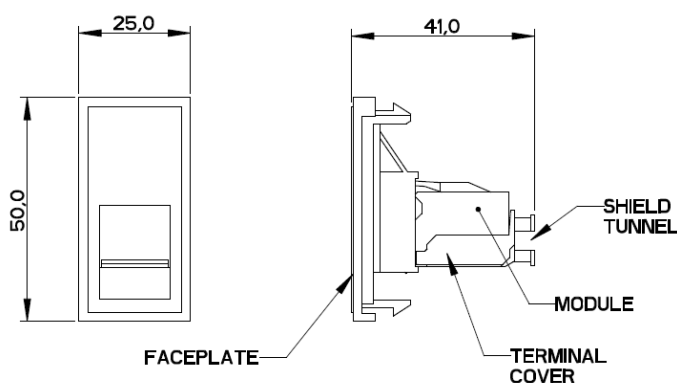
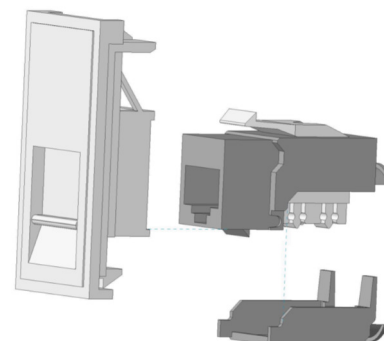
The Classic Collection takes advantage of plate mounting the clip-in Euromods, eliminating the use of a grid. Modules are supplied separately.

The Infinity Collection plates and grids are supplied together whereas the modules are supplied separately.

The Penthouse Collection supplies the Euromods, plates and grids individually.

Finishes

The RJ45 module is supplied in either Black or White polycarbonate, complementing the chosen plate finish.



Installation

For ease of connection unclip module from faceplate and remove cover

Carefully strip 35mm of the cable jacket. Gently Remove the foil to expose the inner conductors.

Strip back a further 10mm of outer sheaf to expose shielding

Locate the individual wires to the terminals, following the correct TIA wiring code and/or the terminal numbers on the connector.

Use a suitable IDC tool to punch the wires down into the contacts. Trim wire ends flush ends

Refit the cover ensuring shield tunnel is in contact with cable shield and secure with cable tie. Clip module into faceplate

Euromod—RJ45 Cat 6a STP

RJ45 Wiring Scheme

Use one wiring code for the whole installation.

TIA wiring code:

Pin No.	568A	568B
1	WHITE/green	WHITE/orange
2	GREEN/white	ORANGE/white
3	WHITE/orange	WHITE/green
4	BLUE/white	BLUE/white
5	WHITE/blue	WHITE/blue
6	ORANGE/white	GREEN/white
7	WHITE/brown	WHITE/brown
8	BROWN/white	BROWN/white

Recommended Box Depth:

47 mm

Metal boxes to BS4662.

To comply with bend radius requirements for Cat6a cable, cable will need to exist through rear of box

Ordering

Interior Euro Module: **3606021** - White
 3606022 - Black

Please see Wandsworth Electrical catalogue for more information and suitable grid and plate

Tel: +44(0)1483 713 400
Email: sales@wandsworthgroup.com