



wandsworth  
GROUP

# Euromod—IEC TV Male Connector

## Standards, Approvals & Directives

IEC 61169-2

2011/65/EC—RoHS Directive

## Description

The IEC Male Connector has been designed to connect RF equipment such as TV, Radio and Aerials together via a co-axial cable

An isolated socket lets the signal through from the aerial/satellite dish but does not allow any kind of return signal/current. This type of socket would be used where a communal dish or aerial is installed, such as in an apartment block. The isolated socket blocks interference from receivers (televisions, digital boxes, satellite boxes) which spoils the signal which the rest of the users receive.

## Features

- Single IEC male socket for a RF connection with DC pass and insertion loss of 2-3dB.
- Isolated..
- Clip-In Module for quick and easy installation
- Black or white modules available

## Availability

All Euromod outlets are available for all our collections of wiring accessory plates and can be specified to contain single or multiple outlets depending upon requirement.

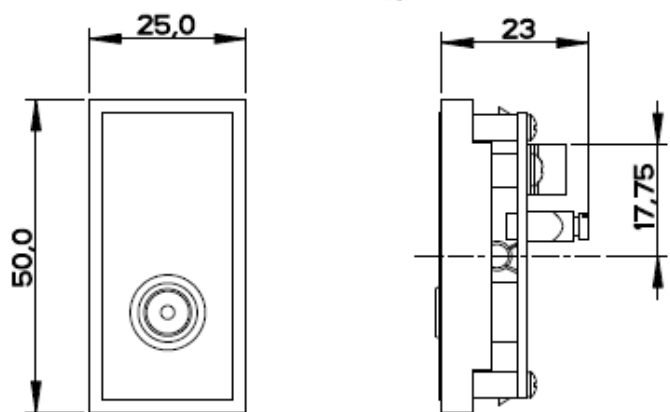
The Classic Collection takes advantage of plate mounting the clip-in Euromods, eliminating the use of a grid. Modules are supplied separately.

The Infinity Collection plates and grids are supplied together whereas the modules are supplied separately.

The Penthouse Collection supplies the Euromods, plates and grids individually.

## Finishes

The TV module is supplied in either Black or White polycarbonate, complementing the chosen plate finish.



### Technical Specification

Insertion Loss 68MHz (link):	<0.5dB
Insertion Loss 6M7.5-230Hz (radio):	<0.5dB
Insertion Loss 450-862MHz (UHF TV):	0.5 - 1dB
DC Pass:	Yes

### Recommended Box Depth:

35 mm

Metal boxes to BS4662.

## Ordering

**Interior Euro Module:**     **3606415** - White  
  **3606416** - Black

Please see Wandsworth Electrical catalogue for more information and suitable grid and plate

Tel: +44(0)1483 713 400

Email: sales@wandsworthgroup.com