

Euromod—IEC TV Female Connector



Standards, Approvals & Directives

IEC 61169-2

2011/65/EC—RoHS Directive

Description

The IEC Female Connector has been designed to connect RF equipment such as TV, Radio and Aerials together via a co-axial cable

Features

- Single IEC female socket for a RF connection with DC pass and insertion loss of 2-3dB.
- High quality and fully screened..
- Clip-In Module for quick and easy installation
- Black or white modules available

Availability

All Euromod outlets are available for all our collections of wiring accessory plates and can be specified to contain single or multiple outlets depending upon requirement.

The Classic Collection takes advantage of plate mounting the clip-in Euromods, eliminating the use of a grid. Modules are supplied separately.

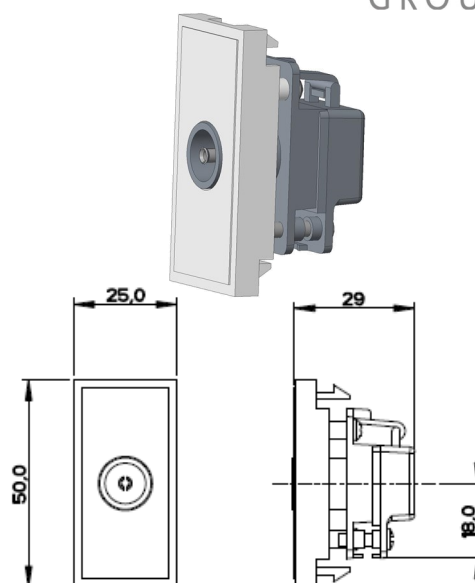
The Infinity Collection plates and grids are supplied together whereas the modules are supplied separately.

The Penthouse Collection supplies the Euromods, plates and grids individually.

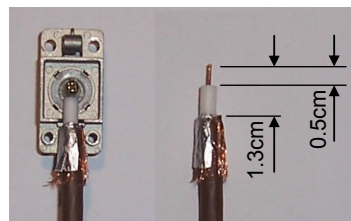
Finishes

The TV module is supplied in either Black or White polycarbonate, complementing the chosen plate finish.

Technical Specification	
Insertion Loss 68MHz (link):	<0.5dB
Insertion Loss 6M7.5-230Hz (radio):	<0.5dB
Insertion Loss 450-862MHz (UHF TV):	0.5 - 1dB
DC Pass:	Yes



Installation



Trim back the cable as in the picture shown above. Arrange the braiding along the top and bottom of the cable to maximise contact with the screening can. Insert the centre core through the screw post and tighten, not too much that you screw straight through the wire. Shut the screening door and tighten the two screws, try not to over tighten and crush the cable excessively.

Recommended Box Depth:

35 mm

Ordering

Interior Euro Module: **3606201** - White

3606202 - Black

Please see Wandsworth Electrical catalogue for more information and suitable grid and plate

Tel: +44(0)1483 713 400

Email: sales@wandsworthgroup.com

