



wandsworth  
GROUP

# Euromod—F to F Type Connector

## Standards, Approvals & Directives

2011/65/EC—RoHS Directive

## Description

The F Type Connector has been designed to connect RF equipment. Generally used to connected incoming satellite and cable signal to your RF equipment.

Through connector requiring both incoming and out going cables to be pre-terminated with a male F type connector

## Features

- Single F Type female socket for a RF connection with DC pass and insertion loss of 2-3dB.
- Clip-In Module for quick and easy installation
- Black or white modules available

## Availability

All Euromod outlets are available for all our collections of wiring accessory plates and can be specified to contain single or multiple outlets depending upon requirement.

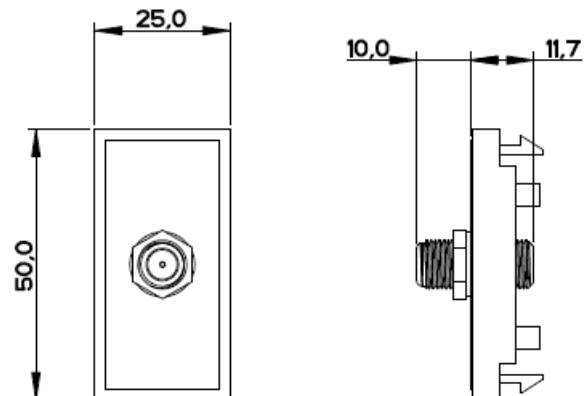
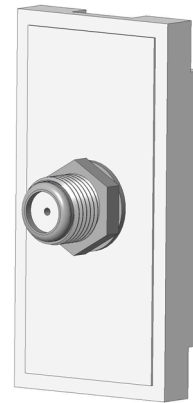
The Classic Collection takes advantage of plate mounting the clip-in Euromods, eliminating the use of a grid. Modules are supplied separately.

The Infinity Collection plates and grids are supplied together whereas the modules are supplied separately.

The Penthouse Collection supplies the Euromods, plates and grids individually.

## Finishes

The F Type module is supplied in either Black or White polycarbonate, complementing the chosen plate finish.



Technical Specification	
Insertion Loss 950-2050 (Sat)	2.0 - 3.0 dB
DC Pass	Yes

**Recommended Box Depth:**  
47 mm

Depending on outgoing cable termination  
Metal boxes to BS4662.

## Ordering

**Interior Euro Module:** 3606203 - White  
3606204 - Black

Please see Wandsworth Electrical catalogue for more information and suitable grid and plate

Tel: +44(0)1483 713 400

Email: sales@wandsworthgroup.com