

# 32A Rocker Switch Interiors



wandsworth  
GROUP

## Standards, Approvals & Directives

Conforms to BS EN 60669 - 1: 1999 when assembled to appropriate plate and grid and installed correctly.

Nemko Certificate No: C16/48898

## Description

Our switch interiors have been designed to be common across all Wandsworth accessory ranges.

Rocker switches are manufactured from brass, aluminium or plastic and finished to complement or match the cover plates.



## Features

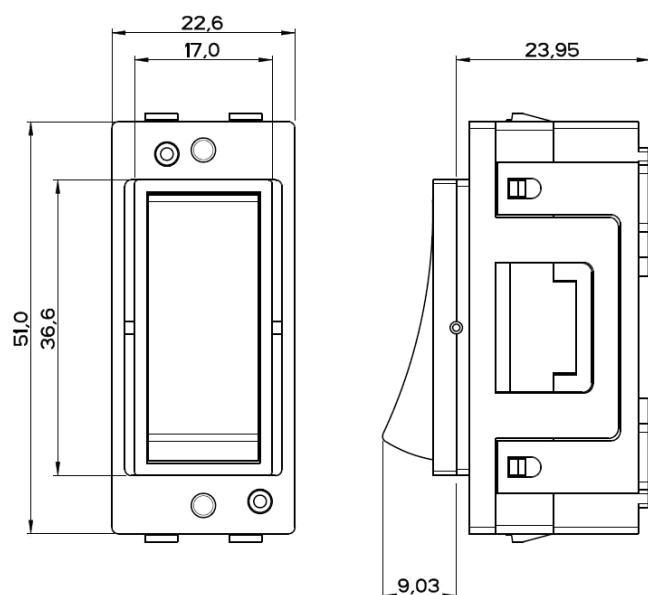
- Solid Brass/Aluminium rockers
- All products clearly printed with BS No's, ratings, etc
- Matches our 20AX switch range
- 3mm switch contact gap
- Positive switch action
- Switches can be clipped or screwed into standard grids.

## Technical Specification

|                             |  |
|-----------------------------|--|
| Part Number                 | 32/*/*   |
| Switch Type                 | Double Pole  |
| Voltage Rating:             | 250V AC, 50Hz  |
| Current Rating:             | 32A  |
| Terminal Capacities:        | 4 x 1mm <sup>2</sup><br>4 x 1.5mm <sup>2</sup><br>3 x 2.5mm <sup>2</sup><br>2 x 4mm <sup>2</sup><br>1 x 6mm <sup>2</sup><br>1 x 10m <sup>2</sup> |
| Operating Temperature:      | -5°C to +40°C  |
| IP Rating:                  | IP2XD  |
| Max. Installation Altitude: | 2000 Meters  |
| No. of Operations:          | 10,000   |

/\* Denotes rocker finish

/\*/\* Optional denotes frame colour Standard Interior Colour will apply unless specified, see Wandsworth's catalogue for details



Tel: +44(0)1483 713 400  
Email: sales@wandsworthgroup.com