

Panel mount unswitched standard single 13amp sockets

Standards, Approvals & Directives

Comply with BS 1363-2: 1995 +A4:2014
(IPS Sockets where relevant.)

Independent test certificates are held as follows:

- Panel Mounted 1 Gang Unswitched
- - Certificate No: C14/46408

Description

A range of socket outlets have been designed for ease of panel mount installation.

Features

- Isolated earth socket available.
- Terminals markings present on housing for clearer identification.

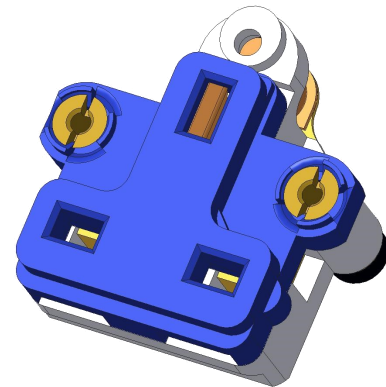
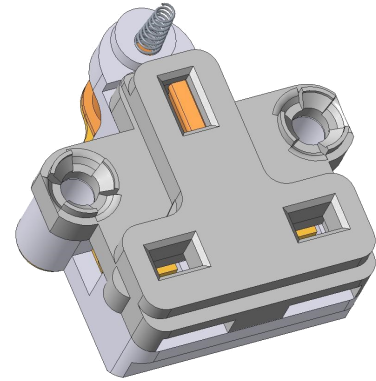
Finishes

The 13amp sockets are available in Red, Blue, Black and White moulded polycarbonate housings.

Ordering

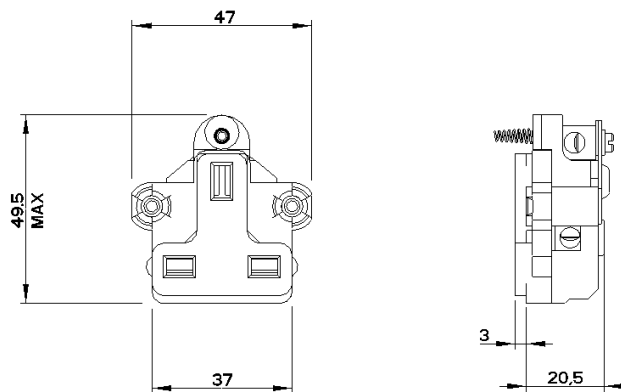
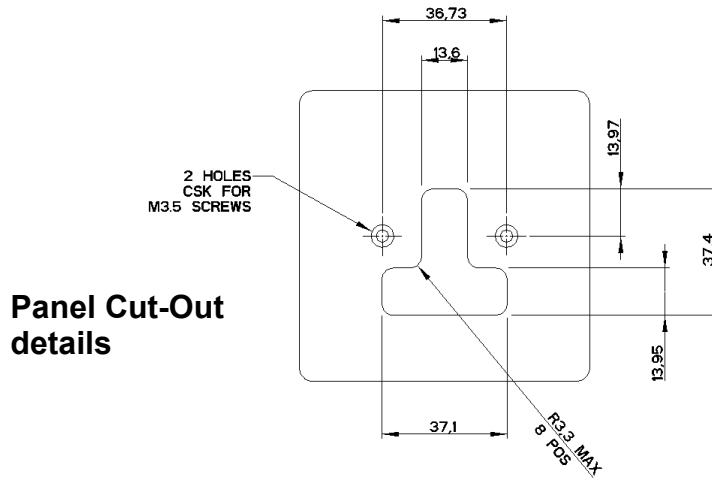
Single standard— Rear entry— 13200/* eg . 13200/W for white
13200/R for red
Side entry—13201/* eg . 13201/B for black

Single standard
Isolated earth - Rear entry—13203/* eg. 13203/BL for blue



Technical Specification	
Supply Voltage:	250V AC
Current Rating:	13A Socket Outlet
Terminal Capacity:	Live, Neutral & Earth 3 x 2.5mm ² (solid/stranded) 3 x 4mm ² (solid/stranded) 1 x 6mm ² (solid/stranded)
Ambient Operating Temperature:	-5°C to +40°C
IP Rating:	IP2XD
Max Installation Altitude:	2000 meters

Panel mount unswitched standard single 13amp sockets



13Amp Twin Switched Socket Outlet

Function

Depth:

Socket – 23mm

13200—single standard Rear entry

13201—single standard Side entry

13203—single standard isolated earth Rear entry

Recommended Box Depth:

35mm Minimum

Metal boxes to BS4662

Tel: +44(0)1483 713 400

Email:

sales@wandsworthgroup.com