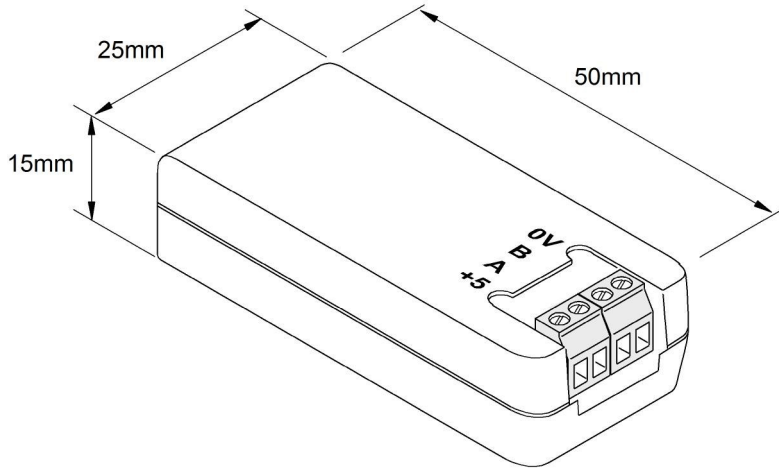
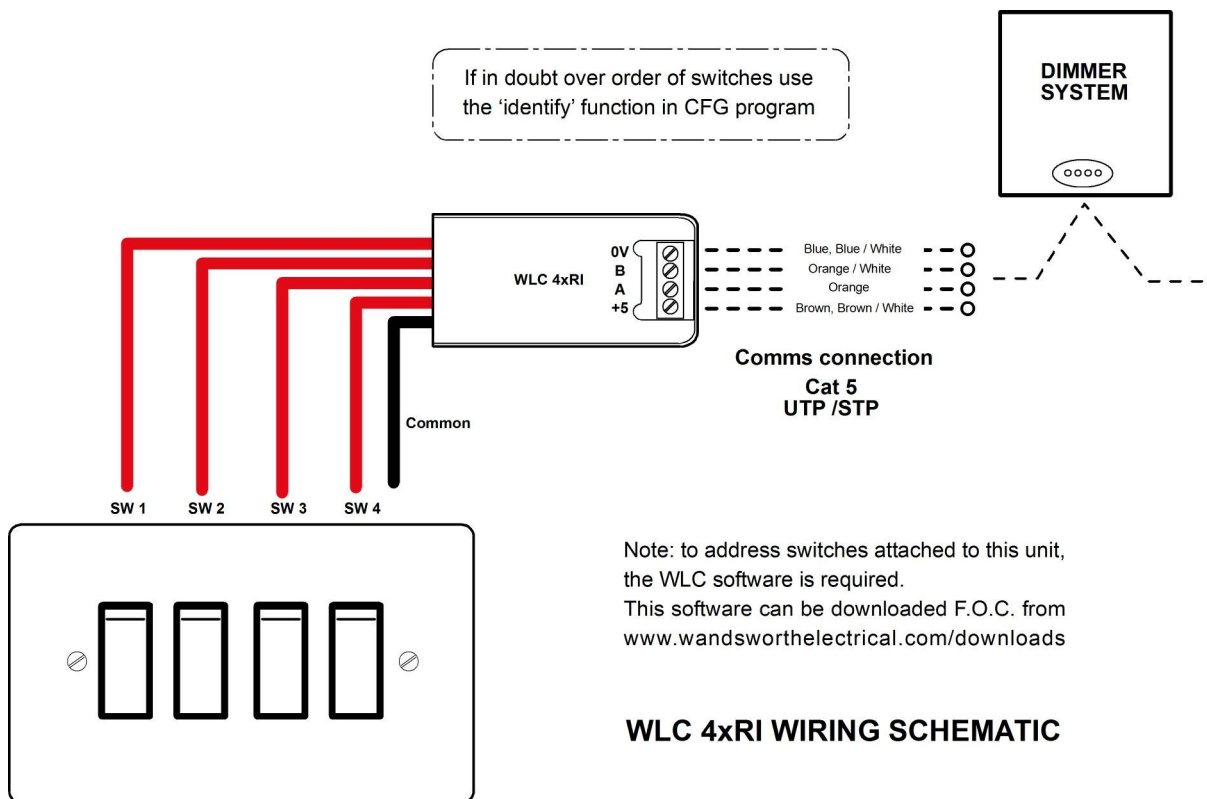


# WLC 4xRI



The WLC 4xRI is a unit designed to convert the physical movement of up to four traditional retractive (spring loaded push to make) switches into a control system protocol that the WLC lighting control system can understand. It is designed to fit directly into the same back box that the switches are mounted into and should be wired directly into the switches. A cat 5 cable will carry the signal to other items within the system.



DS011-1

Tel: +44(0)1483 713 400  
Email: [sales@wandsworthgroup.com](mailto:sales@wandsworthgroup.com)