

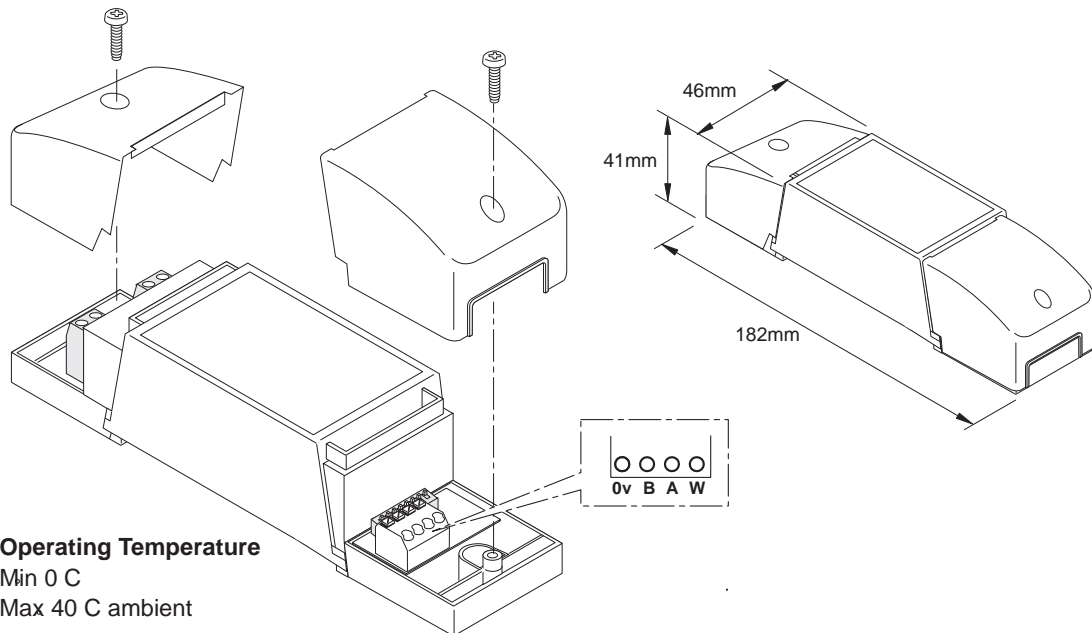
WLC IR Series



WLC IR1xRLY	WLC inline, retractive enabled, single channel relay
WLC IR1x600LD	WLC inline, retractive enabled, single channel TRIAC (leading edge) dimmer 600W
WLC IR1xAD	WLC inline, retractive enabled, single channel analogue (1-10V) dimmer
WLC IR1xDD	WLC inline, retractive enabled, single channel DALI/DSI output module
WLC IR1x150TD	WLC inline, retractive enabled, single channel MOSFET (leading/trailing edge) dimmer 150W

The IR Series of single channel dimmers are designed to work in conjunction with a retractive rocker (or toggle/dolly) switch, a centre off momentary action rocker (or toggle/dolly) switch, or a rotary potentiometer. A series of DIP switches allows for the various switch types.

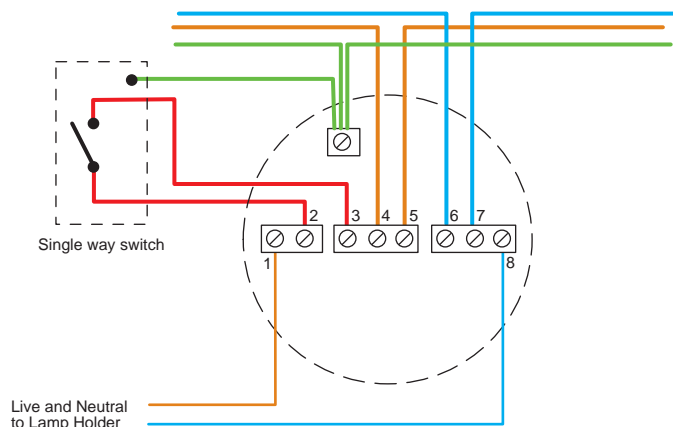
The IR Series has no unusual wiring requirements and can be used with a 2 or 3 core cable, two or three singles, or traditional twin & Earth between the unit and the switch.

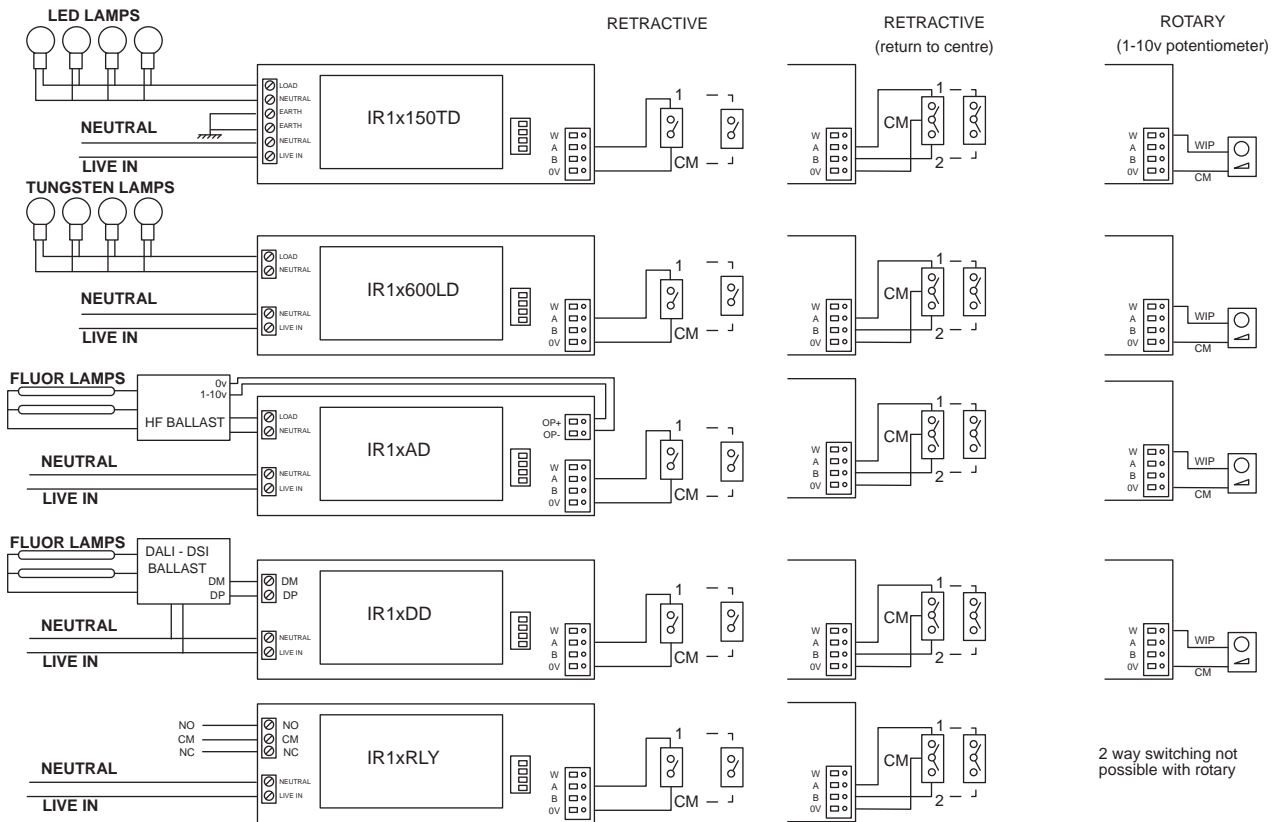


Modification (if necessary) of typical rose wiring

Remove wires from ceiling rose and replace into dimming module as below.

- 2 & 3 go to 0V & A – non polarity sensitive.
- 1 & 8 go to Load and Neutral for your lights.
- 4/5 & 6/7 go to Neutral and Live in.





DIP SWITCHES 1, 2, 3			MODE
ON	ON	ON	TEST SWEEP
OFF	ON	ON	SPARE
ON	OFF	ON	1-10v POT ON 'W'
OFF	OFF	ON	1-10v POT +SW ON 'W'
ON	ON	OFF	ON 'A' AND OFF 'B'
ON	OFF	OFF	DUAL RETRACT 'A' RAISE, 'B' LOWER
OFF	ON	OFF	ON/OFF TOGGLE ON 'A'
OFF	OFF	OFF	SINGLE RETRACT 'A' RAISE/LOWER

DIP SWITCH 4 (DD)	
ON	DSI
OFF	DALI

DIP SWITCH 4 (RLY)	
ON	REVERSE RELAY
OFF	NORMAL RELAY

ROTARY
TWO WAY RETRACTIVE
RETRACTIVE

NOTE: WLC IR1xAD only

Outgoing Load and Neutral provides 230V AC.
If 0V & 1-10V lines (OP+ & OP-) are not connected
this can be used for switched mains.

