

WLC 4X150TD

4 Channel, Leading / Trailing Edge

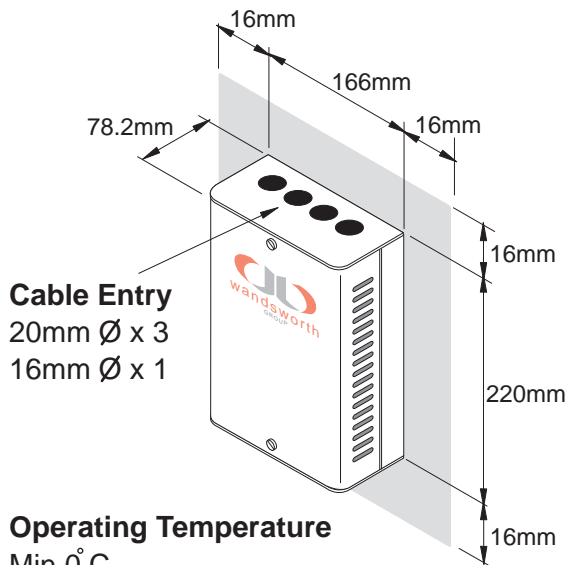
MOSFET Dimmer Pack Data Sheet



MOSFET Dimmer Pack is supplied with or without enclosure.

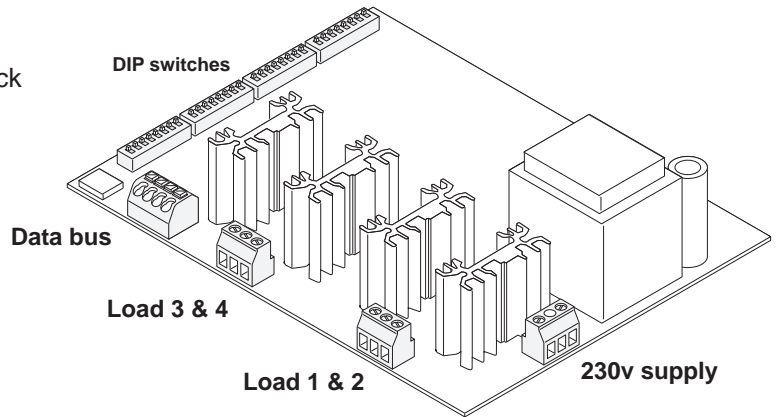
For enclosed version mount on a solid non flammable surface using suitable fasteners supplied by others.

Ensure 16mm ventilation gap around dimmer pack

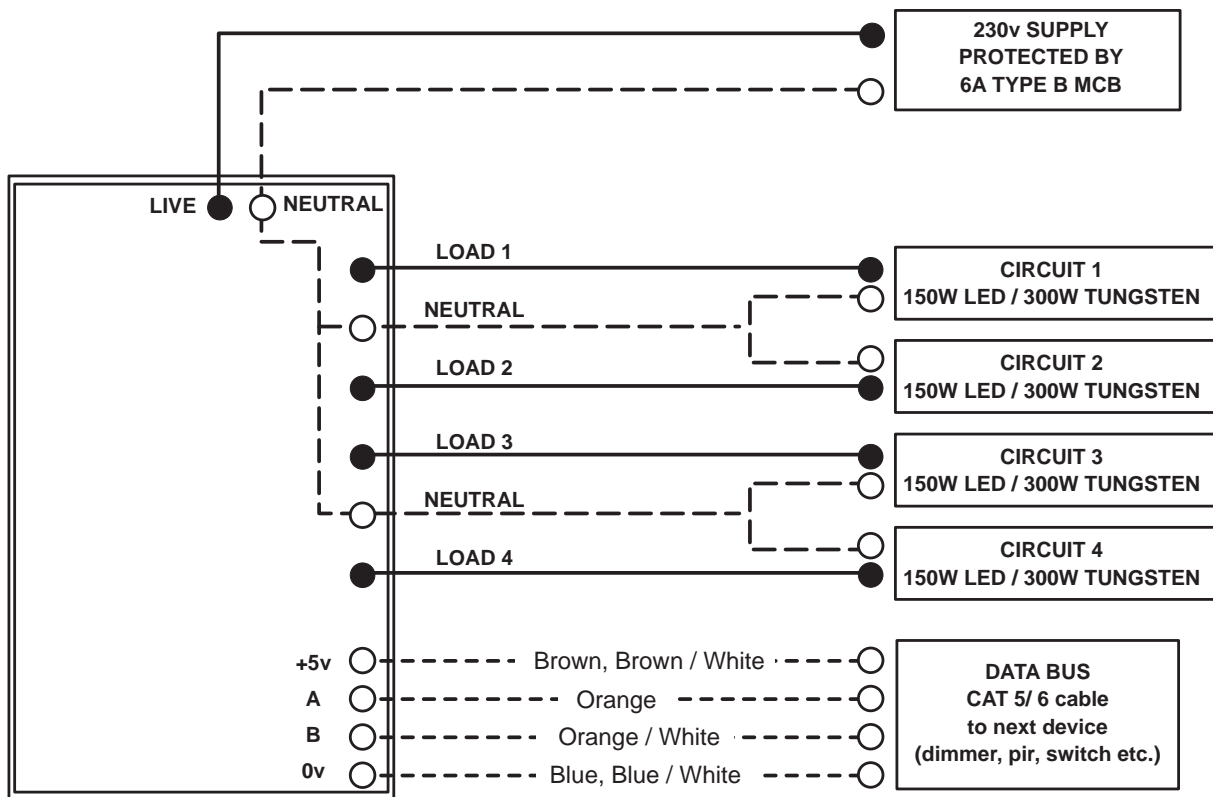


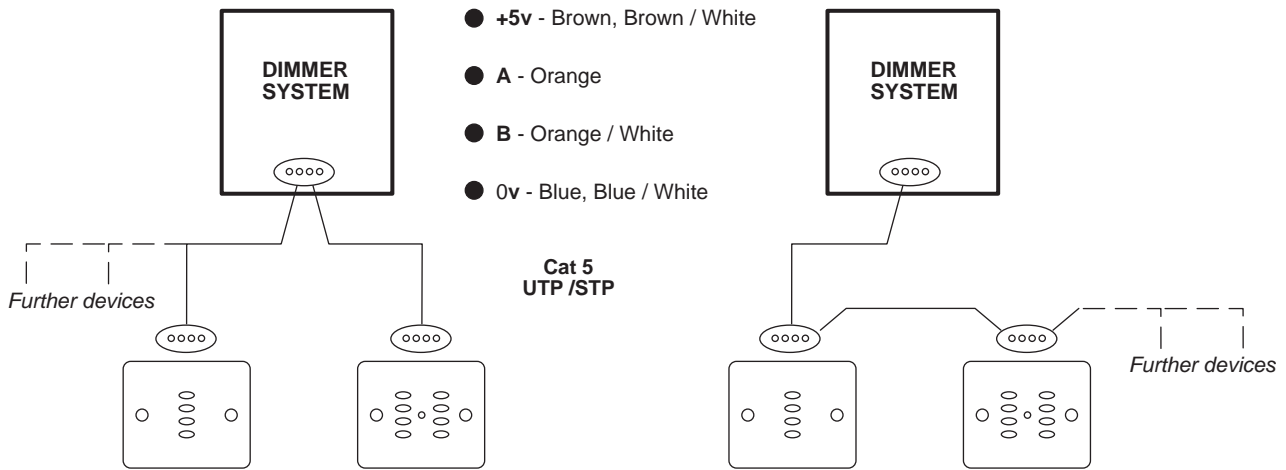
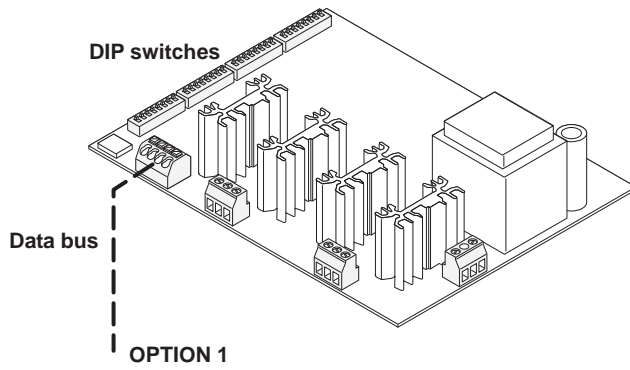
Cable Entry
 20mm Ø x 3
 16mm Ø x 1

Operating Temperature
 Min 0°C
 Max 40°C ambient



NOTE: Installation Test Mode
 Link A to 0V
 Link B to 5V
 This will result in full brightness to all luminaires.
 This is a test of the system - if any luminaire is not on full brightness, then check the wiring.
 Installation Test Mode can be run long term to allow full light for other trades.





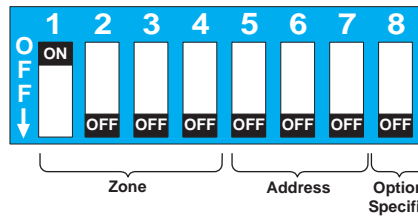
DIP switch configuration

Zone Number	SW1	SW2	SW3	SW4
1	OFF	OFF	OFF	OFF
2	ON	OFF	OFF	OFF
3	OFF	ON	OFF	OFF
4	ON	ON	OFF	OFF
5	OFF	OFF	ON	OFF
6	ON	OFF	ON	OFF
7	OFF	ON	ON	OFF
8	ON	ON	ON	OFF
9	OFF	OFF	OFF	ON
10	ON	OFF	OFF	ON
11	OFF	ON	OFF	ON
12	ON	ON	OFF	ON
13	OFF	OFF	ON	ON
14	ON	OFF	ON	ON
15	OFF	ON	ON	ON
16	ON	ON	ON	ON

Address Number	SW5	SW6	SW7
1	OFF	OFF	OFF
2	ON	OFF	OFF
3	OFF	ON	OFF
4	ON	ON	OFF
5	OFF	OFF	ON
6	ON	OFF	ON
7	OFF	ON	ON
8	ON	ON	ON

WLC****DD

DALI/DSI	SW8
DALI	OFF
DSI	ON



WLC****RLY

Relay	SW8
Normal	OFF
Reverse	ON

Example

Master Bedroom		SW1	SW2	SW3	SW4	SW5	SW6	SW7
Circuit 1	Zone 1	OFF	OFF	OFF	OFF	Address 1	OFF	OFF
Circuit 2	Zone 1	OFF	OFF	OFF	OFF	Address 2	ON	OFF
Circuit 3	Zone 1	OFF	OFF	OFF	OFF	Address 3	OFF	ON

En-Suite		SW1	SW2	SW3	SW4	SW5	SW6	SW7
Circuit 1	Zone 2	ON	OFF	OFF	OFF	Address 1	OFF	OFF
Circuit 2	Zone 2	ON	OFF	OFF	OFF	Address 2	ON	OFF

Walk in Wardrobe		SW1	SW2	SW3	SW4	SW5	SW6	SW7
Circuit 1	Zone 3	OFF	ON	OFF	OFF	Address 1	OFF	OFF
Circuit 2	Zone 3	OFF	ON	OFF	OFF	Address 2	ON	OFF

DALI Dimming

OFF
OFF

Normal Relay

OFF
OFF

WLC DS002-1

Tel: +44 (0) 1483 713 400
Email: sales@wandsworthgroup.com