

Infinity Collection - TV/FM Co-Axial Outlets



Standards, Approvals & Directives

FM Socket Connector - IEC169-2
IEE Wiring Regulations - BS 7671

Description

The TV/FM Co-Axial outlets uses female co-axial outlets that connects to a European TV set from a terrestrial VHF/UHF roof antenna.

Features

- PCB Mounted
- Un-Screened Outlets
- Fully Isolated
- Female Co-Axial Outlets

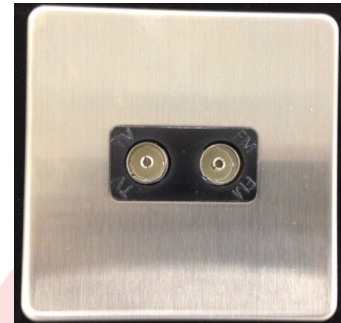
Availability

The TV/FM Co-Axial outlets are available as a standard single outlet or a double diplexed outlet.

Both the single or double outlets can be supplied in either Black or White polycarbonate housings to complement the finish of the chosen plate.

Finishes

We offer 7 superb finishes from stock and an additional 5 in-house metal finishes that are available within a four-week lead time. All finishes are individually inspected by the Wandsworth Group. This ensures the highest standard is achieved.



Ordering

When ordering please state in tabular form your requirements for plate finishes, interior assemblies and boxes.

P941/* - TV/FM Co-axial Standard Single Plate

A941/* - TV/FM Co-axial Standard Single Interior

P942/* - TV/FM Co-axial Double Diplexed Plate

A942/* - TV/FM Co-axial Double Diplexed Interior

* - Required Finish

Interior Finishes available:

/B – Black, /W - White

Please see the Wandsworth Group catalogue for more information and catalogue numbers.

Tel: +44(0)1483 713 400

Email: sales@wandsworthgroup.com

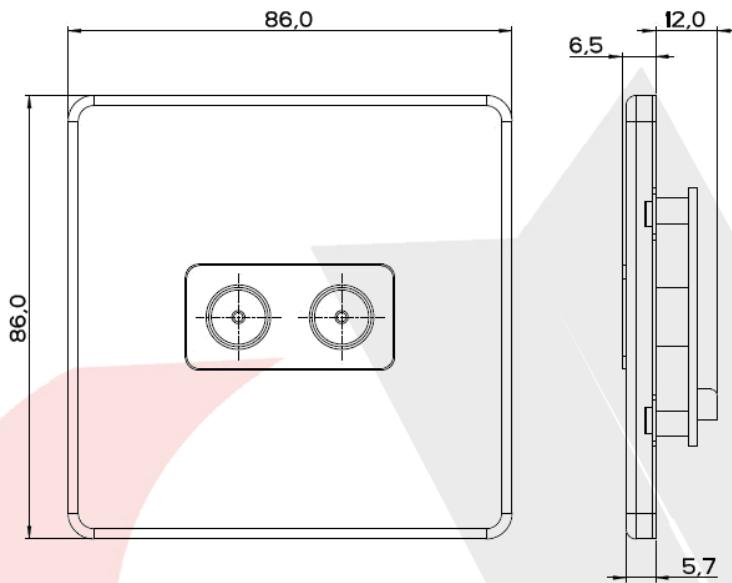
Infinity Collection - TV/FM Co-Axial Outlets

Installation

Please note that this unit must be installed by a competent person, in accordance with the current IEE Wiring Regulations, (BS7671).

Technical Specification

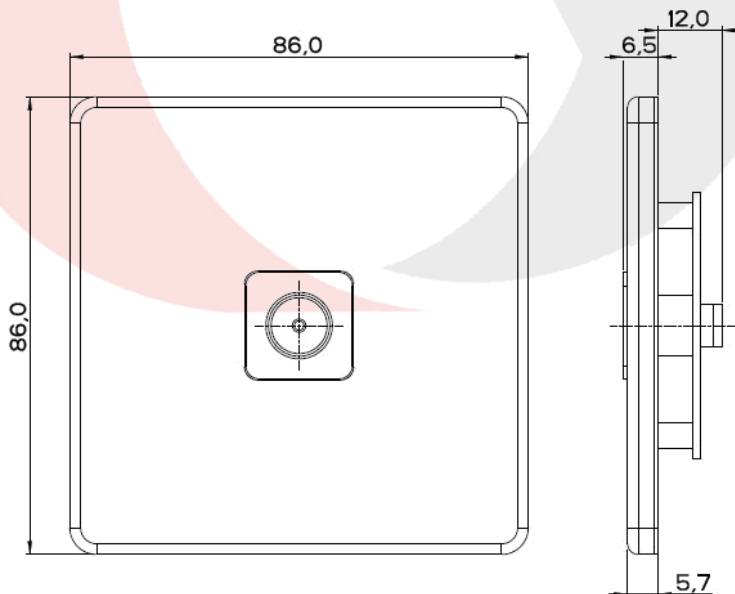
Outlet Type:	Female
Isolated:	Yes



TV/FM Co-Axial Double Duplexed

Recommended Box Depth:
35 mm

Metal boxes to BS4662



TV/FM Co-Axial Standard Single

Recommended Box Depth:
35 mm

Metal boxes to BS4662