



wandsworth

GROUP

Single 'F' Type Connector Grid Outlet

Description

The Single 'F' Type Connector has been designed to be used for terrestrial television, cable television and universally satellite TV and cable modems.

Availability

All of our data, media and USB charger outlets can be used with all of our ranges of wiring accessory plates and can be specified to contain single or multiple outlets depending upon requirement.

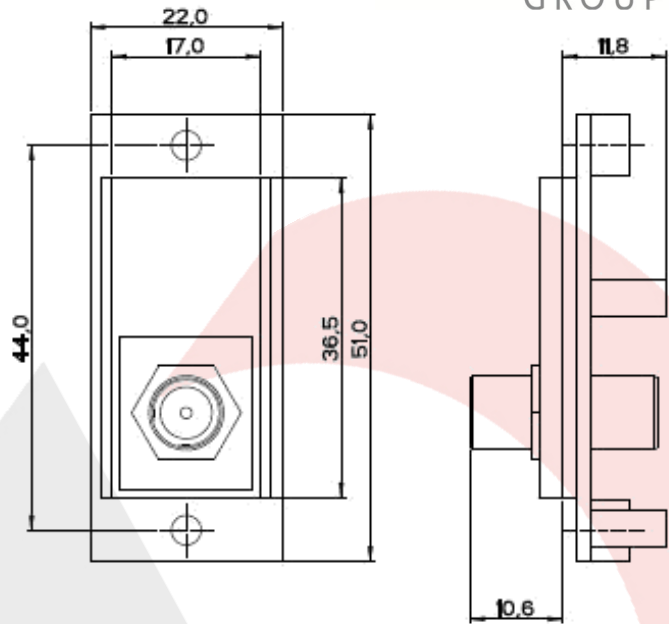
Single or multiple outlets are supplied in either Black or White polycarbonate housings to complement the finish of the chosen plate.

Features

- 'F' Type Connector wall plate featuring a single 'F' Type Connector suited for satellite/tv connections
- Designed to allow bespoke outlet arrangement without the need for a specially designed custom unit.
- Type: 'F' Type Satellite Module

Recommended Box Depth:

35 mm
Metal boxes to BS4662.



Technical Specification

Insertion Loss 950-2050 (Sat)	2.0 - 3.0 dB
DC Pass	Yes

Ordering

All modular interiors fit into our switch plates and grids, making them available across all of our collections. However, when ordering in The Infinity Collection, the following grids must be used for installation.

- G981/*** - 1 Gang
- G982/*** - 2 Gang
- G983/*** - 3 Gang
- G984/*** - 4 Gang

When ordering please state the catalogue number of the required module.

Catalogue Numbers:

- * Finishes available:
- 3706053** = White
- 3706054** = Black

Tel: +44(0)1483 713 400

Email: sales@wandsworthgroup.com