



wandsworth

GROUP

RJ12 Grid Outlet

Standards, Approvals & Directives

Conforms to BS6312 Part 2

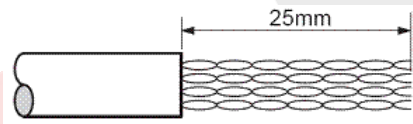
Description

The RJ12 connector is a 6 slot connector with a 6P6C wiring standard which terminate all 6 wires in the connector, occupying all the available slots.

Quite commonly used for telephone lines; keyed telephone systems and PBX's (Public Branch Exchange) within large companies rather than households.

Installation

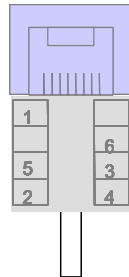
Carefully strip 25mm of the cable outer sheath to expose the inner conductors.



Using a suitable IDC tool, push each wire into the correct IDC as per wiring guide.

Wiring Scheme

- 2—BLUE/white
- 3—ORANGE/white
- 4—WHITE/blue

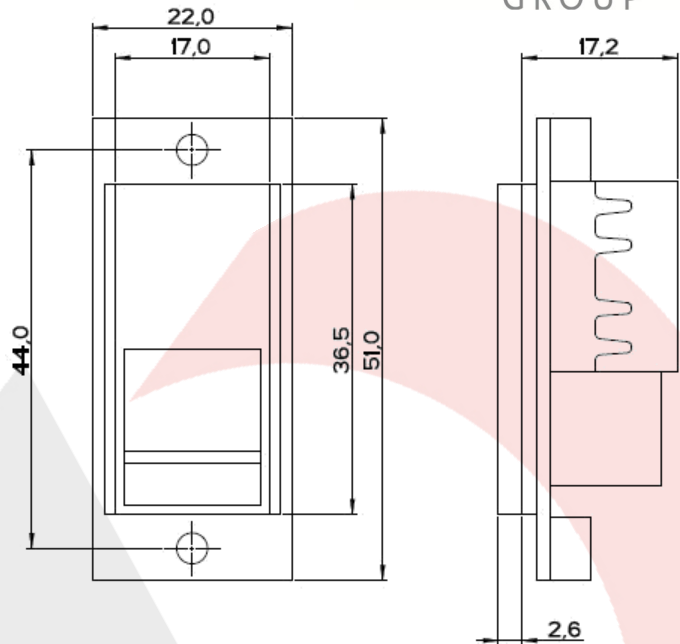


Features

- Suitable for direct connection to the Public Service Telephone Network
- IDC labelling individually numbered.
- Designed to allow bespoke outlet arrangement without the need for a specially designed custom unit.

Recommended Box Depth:
25 mm

Metal boxes to BS4662.



Availability

All of our data, media and USB charger outlets can be used with all of our collections of wiring accessory plates and can be specified to contain single or multiple outlets depending upon requirement.

Single or multiple outlets are supplied in either Black or White polycarbonate housings to complement the finish of the chosen plate.

Ordering

All modular interiors fit into our switch plates and grids, making them available across all of our ranges. However, when ordering in The Infinity Collection, the following grids must be used for installation.

- G981/*** - 1 Gang
- G982/*** - 2 Gang
- G983/*** - 3 Gang
- G984/*** - 4 Gang

When ordering please state the catalogue number of the required module.

Catalogue Numbers:

- * Finishes available:
- 3706043** = White
- 3706044** = Black

Tel: +44(0)1483 713 400

Email: sales@wandsworthgroup.com