

# Palace Toggle Switch Interiors

## Standards, Approvals & Directives

Toggle Switch Conforms to BS EN 60669 - 1: 1999 when assembled to appropriate plate and grid and installed correctly.

ASTA Certificate No: 16240

## Description

Our switch interiors have been designed to be common across all Wandsworth accessory ranges.

Palace Toggle switches are manufactured from brass and finished to complement or match the cover plates.

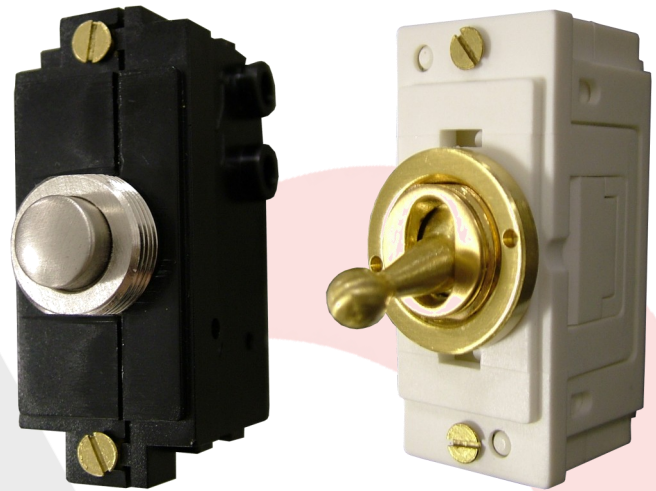
## Features

- Solid Brass Toggle & Push Button
- All products clearly printed with BS No's, ratings, etc
- All toggle switches are available in 20AX and 4A on a bell push
- Positive switch action
- Toggle switches are screwed to appropriate grids.

## Finishes

Palace Toggle Switches are not available to match the following Classic Collection plate finishes:

- PDB (recommend PB toggles are used for matching)
- LB (recommend AB toggles are used for contrast)
- QS, W, CW (recommend SBC toggles are used for contrast)
- AS, SDB or DG (recommend Satin Brass toggles)



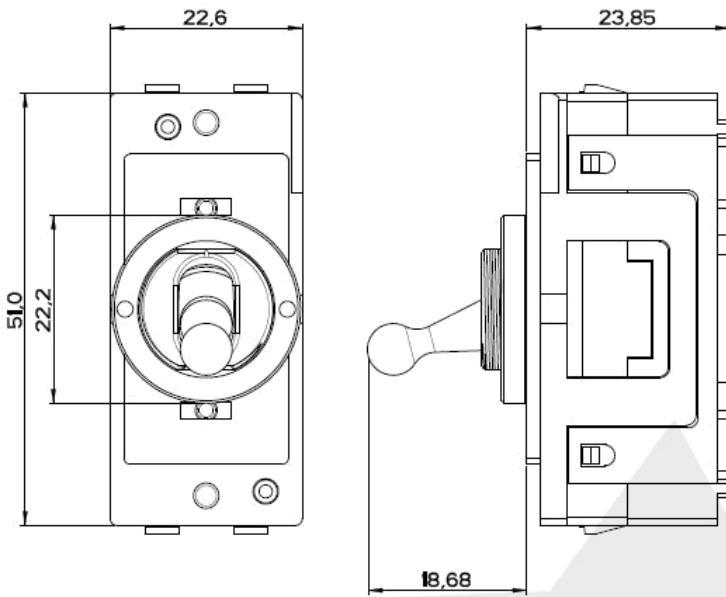
## Availability

### Palace Toggle Switches

Reference	Unit	Type
<b>Common Toggle Switches</b>		
90/*	Toggle Switch	1 Way
91/*	Toggle Switch	2 Way
92/*	Toggle Switch	Double Pole
93/*	Toggle Switch	Intermediate
94/*	Toggle Switch	2 Way & Off
95/*	Bell Push	4A Push to Make
E32/*	Spare Ring	
<b>Crystal Series Toggle Switches</b>		
161/*	Toggle Switch	2 Way
162/*	Toggle Switch	Double Pole
163/*	Toggle Switch	Intermediate
164/*	Toggle Switch	2 Way & Off
165/*	Bell Push	4A Push to Make

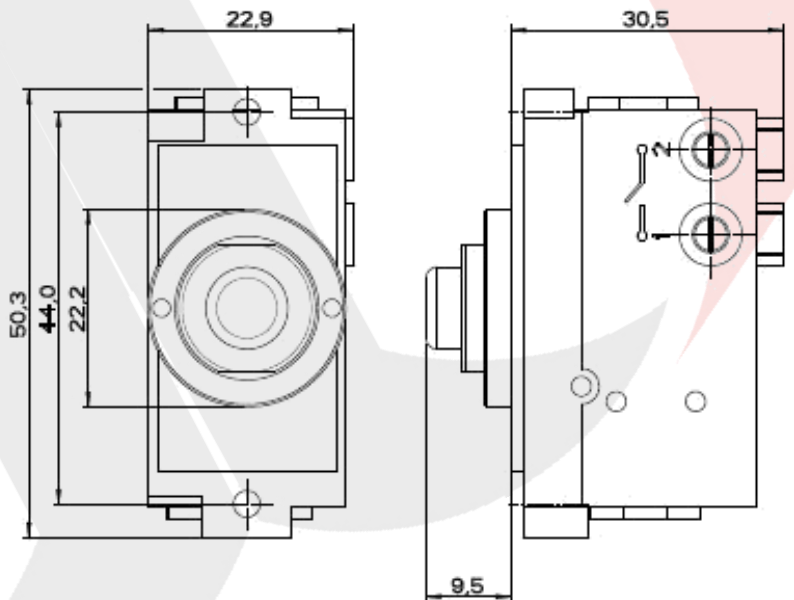
\*NOTE: Fixing rings are supplied with all common toggle switches. However, the fixing rings are supplied with the plate in the Crystal Collection.

# Palace Toggle Switch Interiors



**Palace Toggle Switch (20amp)**  
Catalogue Numbers: 90/\*, 91/\*, 92/\*, 93/\*,  
94/\*, 161/\*, 162/\*, 163/\*, 164/\*

**Bell Push (4amp)**  
Catalogue Numbers: 95/\*, 165/\*



## Ordering

When ordering please state in tabular form your requirements for plate, grid, switch interior and box.

E.g.

161/PB = 2 Way Toggle Switch Interior

Please see the Wandsworth Group catalogue for more information and catalogue numbers.

Tel: +44(0)1483 713 400

Email: sales@wandsworthgroup.com

## Technical Specification

	Palace Toggle	Bell Push
Voltage Rating:	250V AC, 50Hz	250V AC, 50Hz
Current Rating:	20AX	4A
Operating Temperature:	-5°C to + 40°C	-5°C to + 40°C
IP Rating:	IP2XD	IP2XD
Max. Installation Altitude:	2000 Meters	2000 Meters
No. of Operations:	10,000	40,000
Terminal Capacities:	4 x 1mm <sup>2</sup> (Flex) 4 x 1.5mm <sup>2</sup> (Solid) 3 x 2.5mm <sup>2</sup> (Solid) 2 x 4mm <sup>2</sup> (Solid) 1 x 6mm <sup>2</sup> (Solid)	3 x 1mm (Flex) 2 x 1mm (Solid) 2 x 1.5mm (Solid) 1 x 2mm (Solid) 1 x 2.5mm (Solid)