

# Infinity Collection - Single 'F' Type Connector



wandsworth  
GROUP

## Standards, Approvals & Directives

2004/108/EC - EMC Directive  
93/68/EC - CE Marking Directive  
1907/2006 - Reach Regulations  
2011/65/EC - RoHS Directive  
94/62/EC - Packaging Directive

BS EN 61169-24 - RF Connector Standards  
EN 60169-24 - F Connector Standard  
BS 60728-11 - Safety Requirements for Cable Distribution Systems  
EN 50083-2 - EMC for Cable Distribution Equipment  
BS EN 60728-4 - Passive Wideband Equipment for Coaxial Cable Networks

## Features

- DAB Compatible
- Die-Cast housing
- Fully screened
- Push terminal and clamps
- F Type Connector - through line powering capacity
- Suitable for Digital TV

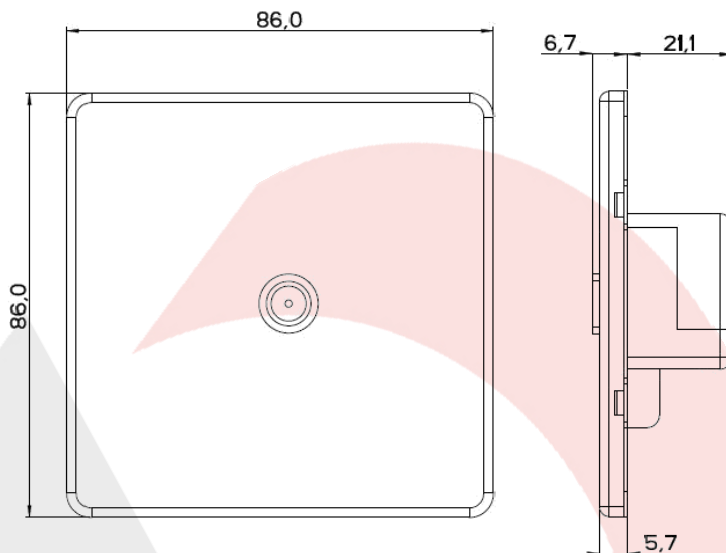
## Availability

The Single 'F' Type Connector is supplied as plates and interiors separately within The Infinity Collection.

Plate and Interior finishes can be specified to compliment the surrounding environment.

## Finishes

We offer 7 superb finishes from stock and an additional 5 in-house metal finishes that are available within a four-week lead time. All finishes are individually inspected by the Wandsworth Group. This ensures the highest standard is achieved. (Refer to the page 83 of the catalogue for more information)



### Technical Specification

Product:	F Type Connector
Frequency Range:	DC - 2300 MHz
Typ, Insertion Loss (dB):	<1.6
Connector Type:	Input: Terminal and Clamp Output: Single F Type

## Ordering

When ordering please state in tabular form your requirements for plate finishes, interior finishes and boxes.

### Catalogue Numbers:

**P9981/\*, A9981/\*** - Fully Screened Single F Type Connector

### \* Interior Finishes available:

/B - Black, /W - White

Recommended Back Box: 35mm

Please see the Wandsworth Group catalogue for more information and catalogue numbers.

Tel: +44(0)1483 713 400

Email: sales@wandsworthgroup.com