

Dimension's Collection - Palace Toggle Switch & Bell Push

Standards, Approvals & Directives

Toggle Switch Conforms to BS EN 60669 - 1: 1999 when assembled to appropriate plate and grid and installed correctly.

ASTA Certificate No: 16240

Description

Our switch interiors have been designed to be common across all Wandsworth accessory collection.

Palace Toggle switches are manufactured from brass and finished to complement or match the cover plates.

Features

- Solid Brass Toggle & Push Button
- All products clearly printed with BS No's, ratings, etc
- All toggle switches are available in 20AX and 4A on a bell push
- Positive switch action
- Toggle switches are screwed to appropriate grids.

Finishes

Palace Toggle Switches are not available to match the following Dimension's Collection plate finishes:

- PDB (recommend PB toggles are used for matching)
- LB (recommend AB toggles are used for contrast)
- QS, W, CW (recommend SBC toggles are used for contrast)
- AS, SDB or DG (recommend Satin Brass toggles)



Availability

- P1091/*** - 1 Gang Toggle Switch Plate
P1092/* - 2 Gang Toggle Switch Plate

Palace Toggle Switches

| Reference | Unit | Type |
|-------------------------------|---------------|-----------------|
| Common Toggle Switches | | |
| 91/* | Toggle Switch | 2 Way |
| 92/* | Toggle Switch | Double Pole |
| 93/* | Toggle Switch | Intermediate |
| 94/* | Toggle Switch | 2 Way & Off |
| 95/* | Bell Push | 4A Push to Make |
| E32/* | Spare Ring | |

*NOTE: Fixing rings are supplied with all common toggle switches.

Dimension's Collection - Palace Toggle Switch & Bell Push

Ordering

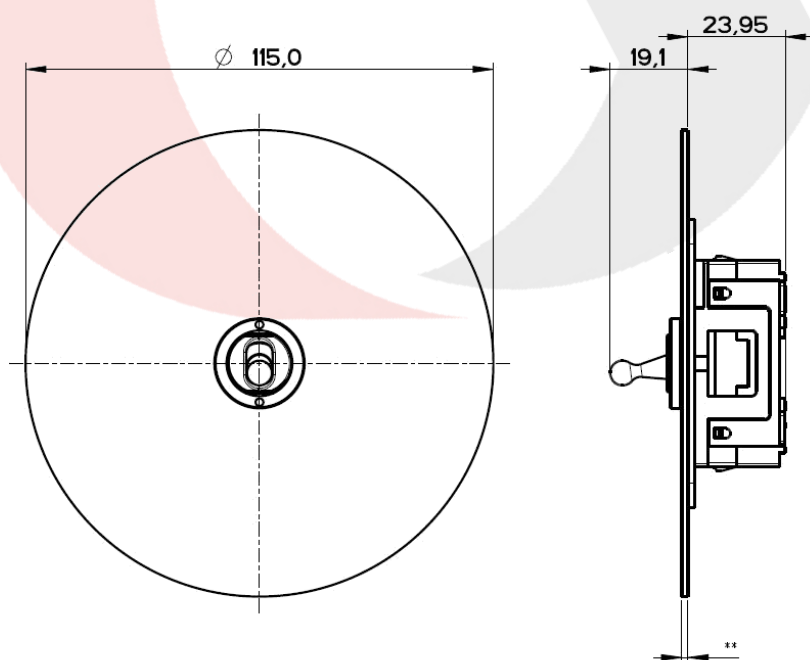
When ordering please state in tabular form your requirements for plate, grid, switch interior and box.

E.g. 2 x 91/PB = 2 - 2 Way Toggle Switch Interior
 P1092/* = 2 Gang Toggle Switch Plate
 G492 = 2 Gang Toggle Grid
 1702 - Flush Metal back box

Please see the Wandsworth Group catalogue for more information and catalogue numbers.

Tel: +44(0)1483 713 400
 Email: sales@wandsworthgroup.com

| Technical Specification | | |
|-----------------------------|---|--|
| | Palace Toggle | Bell Push |
| Voltage Rating: | 250V AC, 50Hz | 250V AC, 50Hz |
| Current Rating: | 20AX | 4A |
| Operating Temperature: | -5°C to + 40°C | -5°C to + 40°C |
| IP Rating: | IP2XD | IP2XD |
| Max. Installation Altitude: | 2000 Metres | 2000 Metres |
| No. of Operations: | 10,000 | 40,000 |
| Terminal Capacities: | 4 x 1mm ² (Flex) 4 x 1.5mm ² (Solid) 3 x 2.5mm ² (Solid) 2 x 4mm ² (Solid) 1 x 6mm ² (Solid) | 3 x 1mm (Flex) 2 x 1mm (Solid) 2 x 1.5mm (Solid) 1 x 2mm (Solid) 1 x 2.5mm (Solid) |



P1091/* - 1 Gang Toggle Switch Plate

Recommended Back Box Depth: 35mm

****NOTE:** Plate thickness will vary between 1.5mm and 2mm dependant upon the chosen plate material and required plate finish.