

The Dimension's Collection

Overview

The Dimensions Collection offers a sleek circular flat plate that has been designed for use with our grid mounting interchangeable switches, sockets and modular interiors.

The Dimension's Collection offers a unique style for a modern and contemporary environment.

Features

- Unique circular plate design
- Steel, Brass or Aluminium plates available
- Slim plate profile
- Multiple finishes available for a wide range of different environments

Availability

Various grid mounting interchangeable switches and sockets are available throughout The Dimensions Collection.

Catalogue Numbers:

P1091/* - 1 Gang Toggle Switch Plate

P1092/* - 2 Gang Toggle Switch Plate

P1001/* - 1 Gang Rocker Switch Plate

P1002/* - 2 Gang Rocker Switch Plate

1031/* - 1 Gang Dimmer Switch Plate

1018/* - 2 Gang Dimmer Switch Plate

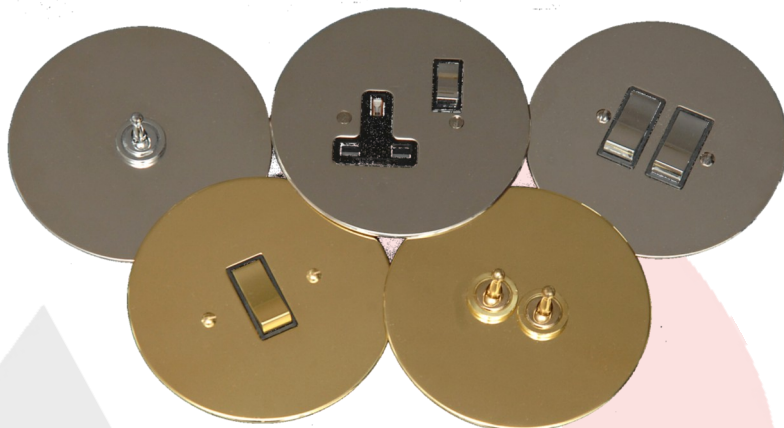
P1151/* - 2amp Socket Outlet Plate

P1085/* - 5amp Socket Outlet Plate

P1074/* - 13amp Single Switched Socket Outlet Plate

Rocker and Toggle Switches can be finished to compliment the plate finish. Likewise for the dimmer knobs. Please see catalogue for more information on finishes.

The 13amp sockets are available in Black and White moulded polycarbonate housings.



Recommendations

The Dimensions Collection plates are circular and are available in either 1.5mm Steel, or 2.0mm Brass or Aluminium. The plate material is dependant upon the required finish of the plate.**

Plate sizes are 115mm in diameter.

Finishes

All finishes are individually inspected by the Wandsworth Group, a sign of the high standard we have set for The Dimension's Collection.

All available plate finishes can be found in the Wandsworth Electrical Accessories Catalogue and are the same as those detailed for our Classic Collection.

Interior Finishes available:

/B - Black, /W - White

Ordering

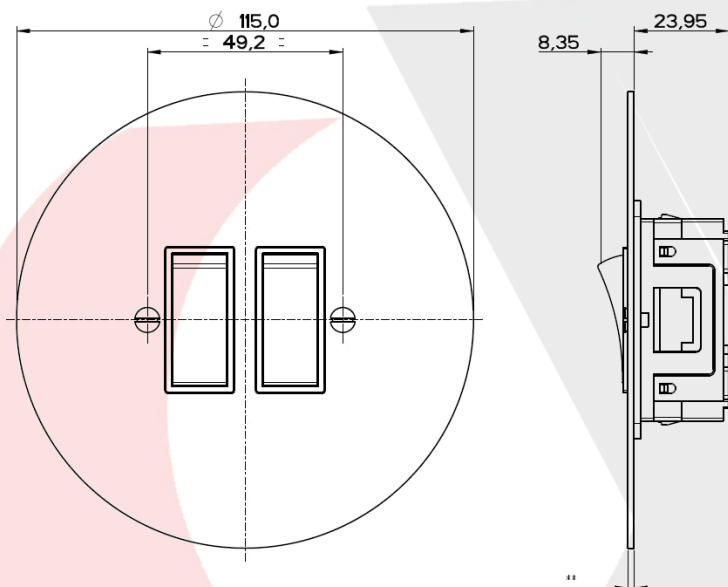
When ordering please state the catalogue number, interior and the plate finish required.

Please see Wandsworth catalogue for more information.

Tel: +44(0)1483 713 400
Email: sales@wandsworthgroup.com

The Dimension's Collection

MOUNTING BOXES		RECOMMENDED MINIMUM BOX DEPTH
PRODUCT		
ROCKER SWITCHES:	Switch:	35mm
	Blank:	n/a
	Neon:	35 mm
	Key Switch:	35 mm
PALACE TOGGLE SWITCHES:	Switch:	35 mm
	Bell Push:	35 mm
13AMP SOCKET:	Switched:	35 mm
PULSE:		25 mm
5 AMP SOCKET:		35mm
2 AMP SOCKET:		35mm (If using 2.5mm ² cable)
DIMMERS:		35mm



P1002/* - 2 Gang Rocker Switch

Recommended Back Box Depth: 35mm

****NOTE:** Plate thickness will vary between 1.5mm and 2mm dependant upon the chosen plate material and required plate finish.

See 'Recommendations' for explanation.

P1074/* - 13AMP Single Switched Socket Outlet

Recommended Back Box Depth: 35mm

****NOTE:** Plate thickness will vary between 1.5mm and 2mm dependant upon the chosen plate material and required plate finish.

See 'Recommendations' for explanation.

