

Dimension's Collection - Rocker Switch

Standards, Approvals & Directives

Conforms to BS EN 60669 - 1: 1999 when assembled to appropriate plate and grid and installed correctly.

ASTA Certificate No: 16240

Description

Our switch interiors have been designed to be common across all Wandsworth accessory collections.

Rocker switches are manufactured from brass, aluminium or plastic and finished to complement or match the cover plates.

Features

- Solid Brass/Aluminium rockers
- Two way switches can be wired as one or two way
- All products clearly printed with BS No's, ratings, etc
- All grid switches are available in 20AX and 6AX ratings
- 3mm switch contact gap
- Positive switch action
- All switches can be clipped or screwed to appropriate grids.
- Blank screw only.

Finishes

Key switches are white or black polyester housing. Red switches are available for special applications such as essential supply, etc. Alternative combinations can be supplied to order.

Neon's are available in Red and Green lenses with red, black and white frames. Rockers are solid metal finished to match plate finish. Alternatively can be specified in white or black plastic. (red special order)



Availability

P1001/* - 1 Gang Rocker Switch Plate

P1002/* - 2 Gang Rocker Switch Plate

Rocker Switches

Reference	Unit	Type
10/*	Switch	1 Way
11/*	Switch	2 Way
12/*	Switch	Double Pole
13/*	Switch	Intermediate
14/*	Switch	2 Way & Off
15/*	Switch	6amp 2 Way Retractive
17/*	Switch	6amp 2 Way & Off Retractive
18/*	Blank	Dummy
19/R/*	Neon	Red with Red Trim
19/B/*	Neon	Red Lens with Black Trim
19/W/*	Neon	Red Lens with White Trim
19/GR/W/*	Neon	Green Lens with White Trim
19/GR/B/*	Neon	Green Lens with Black Trim
20/*	Key Switch	1 Way
21/*	Key Switch	2 Way
22/*	Key Switch	Double Pole
23/*	Key Switch	Intermediate
24	Spare Key	

Dimension's Collection - Rocker Switch



Ordering

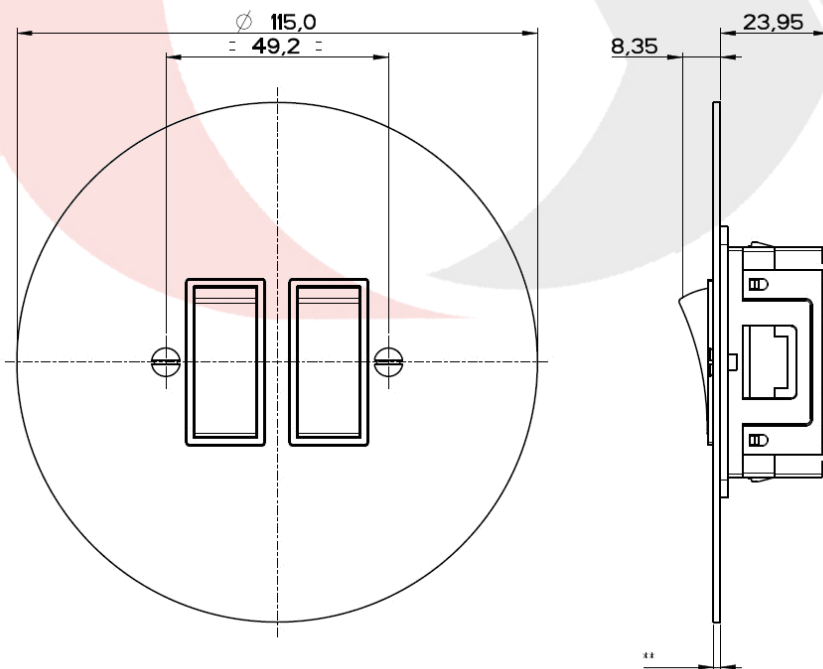
When ordering please state in tabular form your requirements for plates/finishes, grids, interiors and boxes.

E.g. 2 x 11/PB = 2 - 2 way switches, polished brass
P1002/PB - 2 Gang Plate, polished brass
G202 - 2 Gang Switch grid
1702 - Flush Metal back box

Please see the Wandsworth Group catalogue for more information and catalogue numbers.

Tel: +44(0)1483 713 400
Email: sales@wandsworthgroup.com

Technical Specification	
Voltage Rating:	250V AC, 50Hz
Current Rating:	20AX
Terminal Capacities:	4 x 1mm ² 4 x 1.5mm ² 3 x 2.5mm ² 2 x 4mm ² 1 x 6mm ²
Operating Temperature:	-5°C to + 40°C
IP Rating:	IP2XD
Max. Installation Altitude:	2000 Metres
No. of Operations:	10,000 (20AX Rating) 40,000 (6AX Rating)



P1002/* - 2 Gang Rocker Switch

Recommended Back Box Depth: 35mm

****NOTE:** Plate thickness will vary between 1.5mm and 2mm dependant upon the chosen plate material and required plate finish.