

# Dimension's Collection - 2amp & 5amp Socket Outlets



## Standards and Approvals

Conforms to BS 546.

## Description

A range of round pin socket outlets have been designed for ease of installation, all having the superior quality and design features of The Dimension's Collection.

## Features

- Top access terminals making wiring easier and quicker.
- Shutter safety feature.
- Terminal marking present on socket housing for clearer identification.
- Black and White housings available to compliment plate finishes.
- Automatic primary switching on insertion of plug

## Availability

Our 2amp and 5amp un-switched sockets are available in Black and White polycarbonate moulded housings and are supplied as interior with grids throughout The Dimension's Collection.

All plate finishes are available. Please see the Wandsworth Catalogue for more information.

## Applications & Uses

Our 2amp and 5amp socket outlets can be used for lighting circuits that demand low amperages.

## Ordering

Both the 2amp and 5amp socket outlets are available with all the benefits of The Dimension's Collection. When ordering please state in tabular form your requirements for plates/finishes, interior assemblies and boxes.

### Catalogue Numbers:

**Interiors:** **A2151/\*** - 2amp Socket Outlet  
**A205/\*** - 5amp Socket Outlet

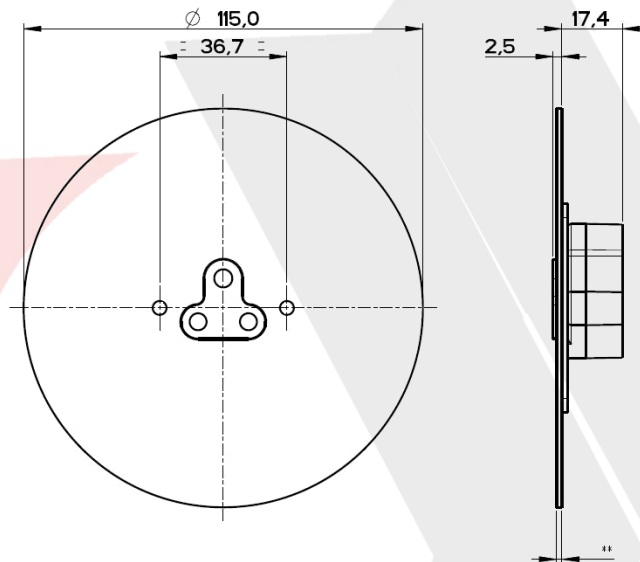
**Plates:** **P1151/\*** - 2amp Plate  
**P1085/\*** - 5amp Plate

**\*Interior Finishes available:**  
/B – Black, /W - White

Tel: +44(0)1483 713 400  
Email: sales@wandsworthgroup.com

# Dimension's Collection - 2amp & 5amp Socket Outlets

Technical Specification		
Supply Voltage:	250V AC	
Terminal Capacities:	<b>2 amp Socket</b>	<b>5 amp Socket</b>
	Live, Neutral & Earth	Live, Neutral & Earth
	1 x 2.5 mm <sup>2</sup>	1 x 2.5 mm <sup>2</sup>
	2 x 2.0 mm <sup>2</sup>	2 x 2.0 mm <sup>2</sup>
	2 x 1.5 mm <sup>2</sup>	2 x 1.5 mm <sup>2</sup>
	4 x 1.0 mm <sup>2</sup>	4 x 1.0 mm <sup>2</sup>
Ambient Operating Temperature:	-5°C to +40°C	
IP Rating:	IP2XD	
Max Installation Altitude:	2000 meters	

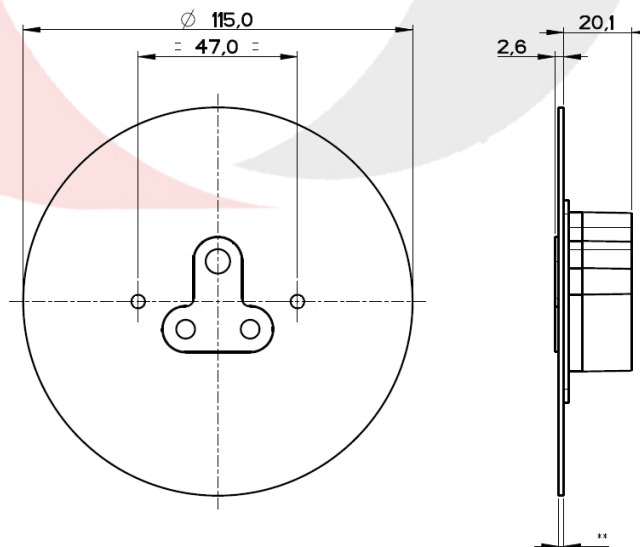


**P1151/\* 2amp Socket Outlet**

**Recommended Box Depth:**

2amp Socket - 35mm Box  
Metal boxes to BS4662

**\*\*NOTE:** Plate thickness will vary between 1.5mm and 2mm dependant upon the chosen plate material and required plate finish.



**P1085/\* 5amp Socket Outlet**

**Recommended Box Depth:**

2amp Socket - 35mm Box  
Metal boxes to BS4662

**\*\*NOTE:** Plate thickness will vary between 1.5mm and 2mm dependant upon the chosen plate material and required plate finish.