

Dimension's Collection - 13amp Socket Outlets

Standards, Approvals & Directives

Comply with BS 1363-2:1995 (Amd 1-3)
Nemko Test Certificate: C12/43399-1

Description

A range of socket outlets have been designed for ease of installation, all having the superior quality and design features of The Dimension Collection.

These products can quickly replace an existing 13 amp socket (assuming suitable mounting box is already in position).

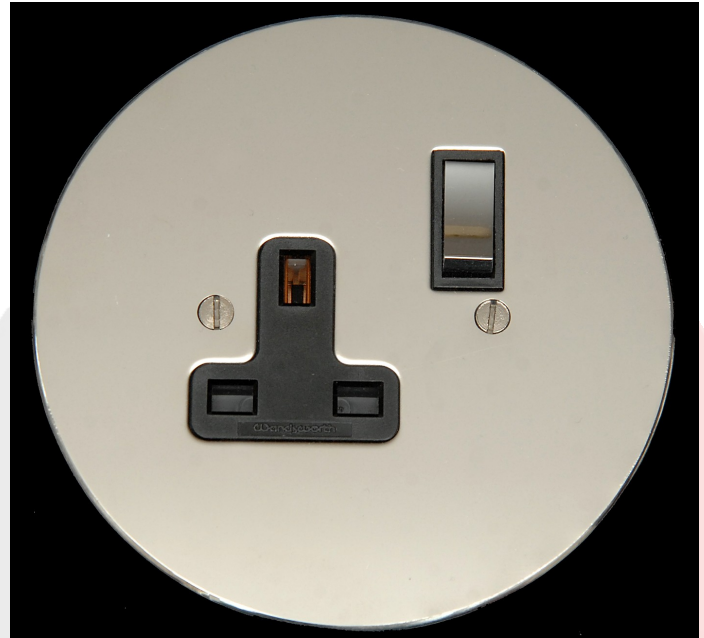
Features

- Matching metal rocker switches available on all switched versions.
- Terminals markings present on housing for clearer identification.
- Switch contacts with silver contacts on both surfaces for good continuity.
- Switched socket outlets have double insulated rockers.
- Red plastic rocker switches available.

Finishes

All plate finishes are individually inspected by the Wandsworth Group, a sign of the high standard we have set for The Dimension Collection. Available plate finishes can be found in the Wandsworth catalogue.

The 13amp sockets are available in Red, Blue, Black and White moulded polycarbonate housings.



Availability

13 amp Switched Socket Outlet:

- P1074/*** - Single Switched Socket Plate
- A374/*** - Single, Rear Entry, Single Pole Interior
- A385/*** - Single, Rear Entry, Dual Earth

Ordering

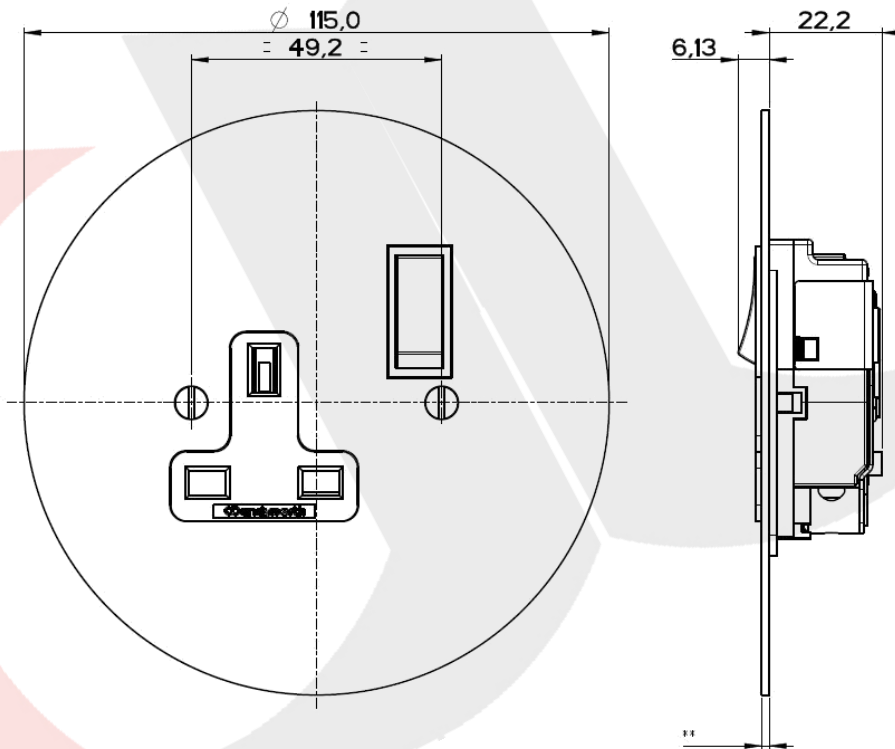
When ordering please state in tabular form your requirements for plates/finishes, interior assemblies and boxes.

Please see the Wandsworth Group catalogue for more information and catalogue numbers.

Tel: +44(0)1483713400
Email: sales@wandsworthgroup.com

Dimension's Collection - 13amp Socket Outlets

Technical Specification	
Supply Voltage:	250V AC
Current Rating:	13A per Socket Outlet
Terminal Capacity:	Live, Neutral & Earth 3 x 2.5mm ² 3 x 4mm ² 2 x 6mm ² (stranded)
Ambient Operating Temperature:	-5°C to +40°C
IP Rating:	IP2XD
Max Installation Altitude:	2000 metres



P1074/* - 13Amp Single Switched Socket Outlet

Recommended Back Box Depth: 35mm

****NOTE:** Plate thickness will vary between 1.5mm and 2mm dependant upon the chosen plate material and required plate finish.