

Crystal Collection - Dimmers



Standards, Approvals & Directives

Comply with
BS-EN 60669-2-1
EN-55015
CE Marked

Description

Rotary dimmers, suitable for use with tungsten lighting, are push on/push off switch dimmers which act at any pre-selected brightness setting. They have two-way switching that may be used with a normal two-way switch elsewhere or intermediate switch.

Availability

Single section plates should not exceed 500 watts tungsten dimming load. Twin section plates should not exceed 1000 watts tungsten dimming load. Failure to comply with this may result in overheating of dimmer modules and units themselves.

Note: Transformers supplying low voltage lamps should be dimmable electronic transformers such as those manufactured by Mode.

Unit	Description	Rating
324	Dimmer Interior	40-250 watt
325	Dimmer Interior	60-400 watt

Recommended Box Depth - 42mm
Metal Boxes to BS4662

Finishes

All finishes are individually inspected by the Wandsworth Group, a sign of the high standard we have set for The Crystal Collection.



Features

- Push On/Push Off, rotary dimming control
- All products clearly printed with BS No's, ratings, etc
- Complementary control knobs are supplied with the cover plates
- Used for dimming 240V tungsten lamps
- 1 - 4 Gang available
- Suitable for use with Resistive loads

Ordering

When ordering please state in tabular form your requirements for plates/finishes, interior assemblies and boxes.

Catalogue Numbers:

- 1250/CL/*** - 1 Gang Dimmer Unit
- 2250/CL/*** - 2 Gang Dimmer Unit
- 3250/CL/*** - 3 Gang Dimmer Unit
- 4250/CL/*** - 4 Gang Dimmer Unit

Please see the Wandsworth Group catalogue for more information and catalogue numbers.

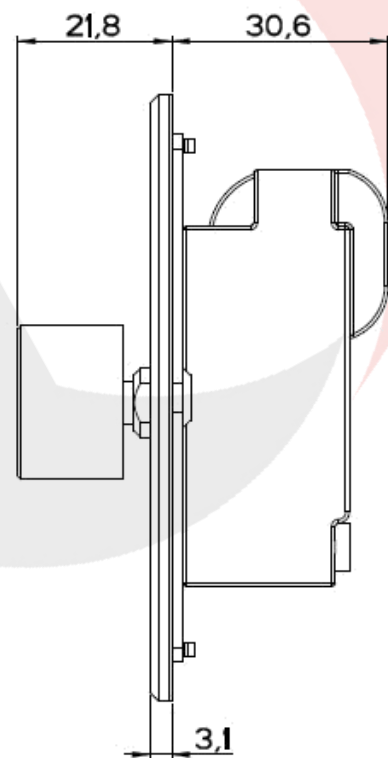
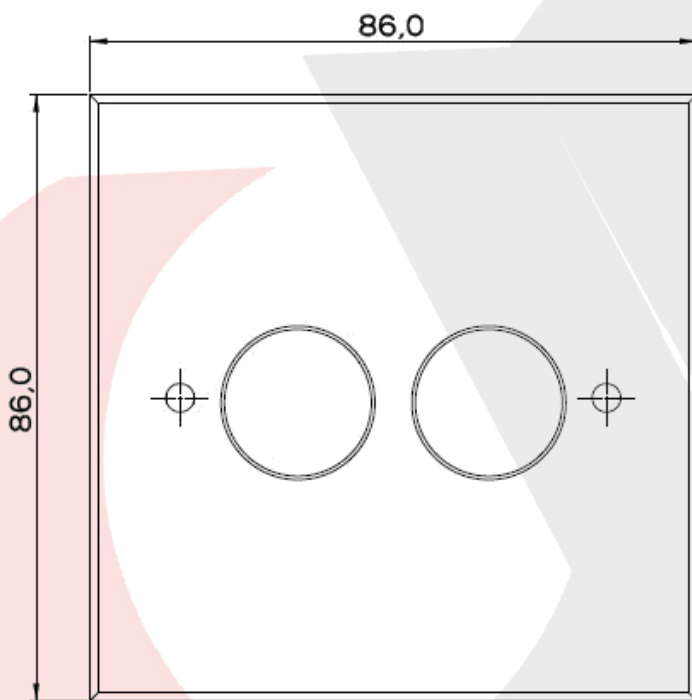
Tel: +44(0)1483 713 400
Email: sales@wandsworthgroup.com

Crystal Collection - Dimmers

Technical Specification	
Voltage Rating:	230V -50Hz
Power Source:	Mains
Load (min - max):	324 - 40-250 watt 325 - 60-400 watt
Terminal Capacities:	2 x 1mm ² 2 x 1.5mm ² 1 x 2.5mm ²
Operating Temperature:	0°C to + 45°C
IP Rating:	IP2XD
Maximum Installation Altitude:	2000m

Additional Notes:

- 1) Tungsten filament GU10 lamps must be branded with a fuse base.
- 2) When using mains voltage halogen lamps - dimmers should be de-rated by 25%



2 Gang Dimmer - Single

Depth: 31 mm

Recommended Box Depth:

42 mm

Metal Boxes to BS4662.