

Comet 2 Rocker Switch Interiors

Standards, Approvals & Directives

Conforms to BS EN 60669 - 1: 1999 when assembled to appropriate plate and grid and installed correctly.

ASTA Certificate No: 16240

Description

Rocker switches are manufactured from brass, aluminium or plastic and finished to complement or match the cover plates.

Features

- Solid Brass/Aluminium rockers
- Two way switches can be wired as one or two way
- All products clearly printed with BS No's, ratings, etc
- 3mm switch contact gap
- Positive switch action
- All switches are screwed to grids.

Technical Specification	
Voltage Rating:	250V AC, 50Hz
Current Rating:	20AX
Terminal Capacities:	4 x 1mm ² 4 x 1.5mm ² 3 x 2.5mm ² 2 x 4mm ² 1 x 6mm ²
Operating Temperature:	-5°C to + 40°C
IP Rating:	IP2XD
Max. Installation Altitude:	2000 Meters
No. of Operations:	10,000 (20AX Rating) 40,000 (6AX Rating)



Availability

Rocker Switches

Reference	Unit	Type
130/*	Switch	1 Way 20 Amp
131/*	Switch	2 Way 20 Amp
132/*	Switch	Double Pole 20 Amp
133/*	Switch	Intermediate 20 Amp
134/*	Switch	2 Way & Off 20 Amp
135/*	Switch	6amp 2 Way Retractive
137/*	Switch	6amp 2 Way & Off Retractive

Finishes

Rockers are solid metal finished to match plate finish. Alternatively can be specified in white or black plastic. (red special order)

Comet 2 Rocker Switch Interiors

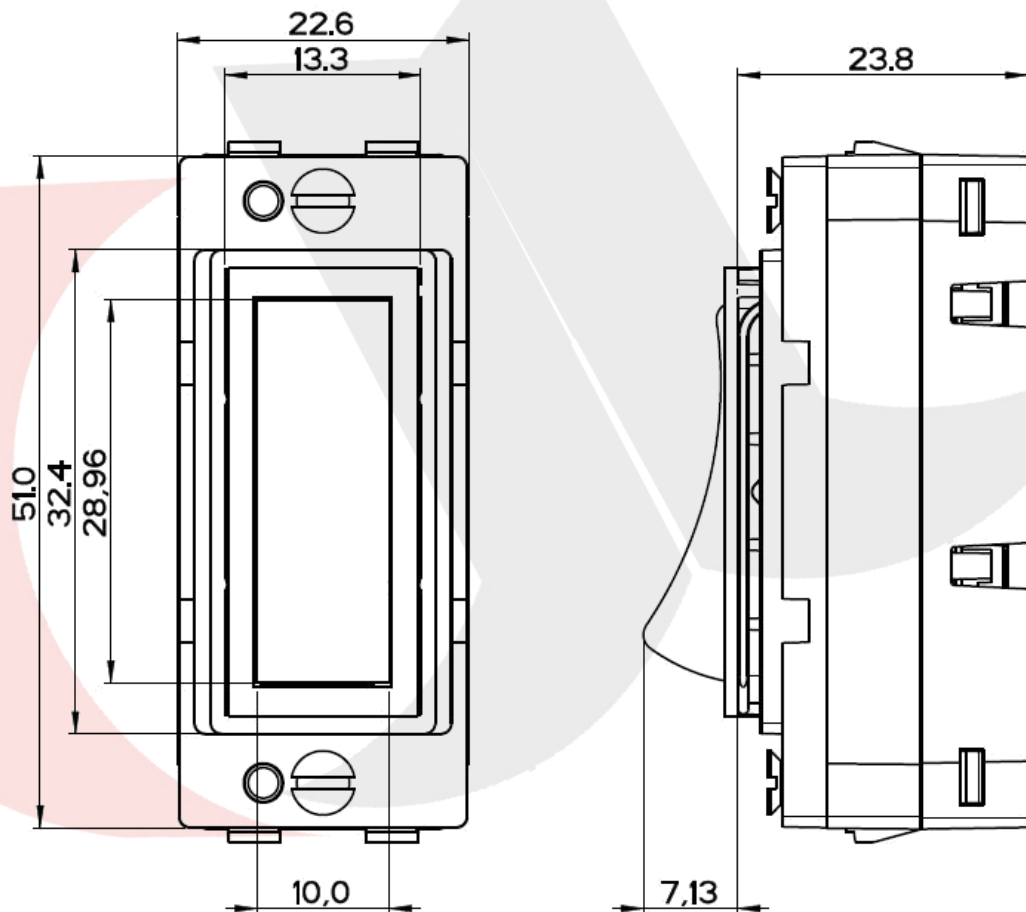
Ordering

When ordering please state in tabular form your requirements for finished interiors.

E.g. 8 x 131/PB = 8 - 2 way switches, polished brass

Tel: +44(0)1483 713 400

Email: sales@wandsworthgroup.com



Comet 2 Rocker Switch - Catalogue Numbers: 130/*, 131/* ,
132/*, 133/*, 134/*, 135/*, 137/*