

Classic Collection - Connection Units

Standards and Approvals

BS 1363

Description

A range of 13Amp fused connection units have been designed for the connection of refrigerators, water heaters, central heating boilers and other fixed appliances.

All units have been designed with ease of installation in mind and have the advantageous design features and quality of the Classic Collection.

Illuminated – Neon indicators are available on switched fused connection and fused connection units, with or without the option of a cable outlet.

Non-Illuminated – available in switched fused connection and fused connection units, with or without the option of a cable outlet.

Features

- Fused connection units have a retained fused carrier that is not removed during fuse replacement.
- All terminal and fixing screws are operated by one-sized screwdriver.
- Metal or plastic rockers to compliment plate finish (excluding /YEP).
- All neon indicators are integrally wired into the product and do not require separate connection when installing.
- Red plastic rocker switches available.



Availability

13Amp Fused Connection Units are available in the following units:

NON-ILLUMINATED:

- P666/*, A666/*** - Switched Fused Connection Unit
- P666/*, A667/*** - Switched Fused Connection Unit with Cable Outlet
- P201/*, A253/*** - Fused Connection Unit
- P255/*, A255/*** - Fused Connection Unit with Cable Outlet
- P1978/*, A1978/*** - Un-Fused Cable Outlet Only

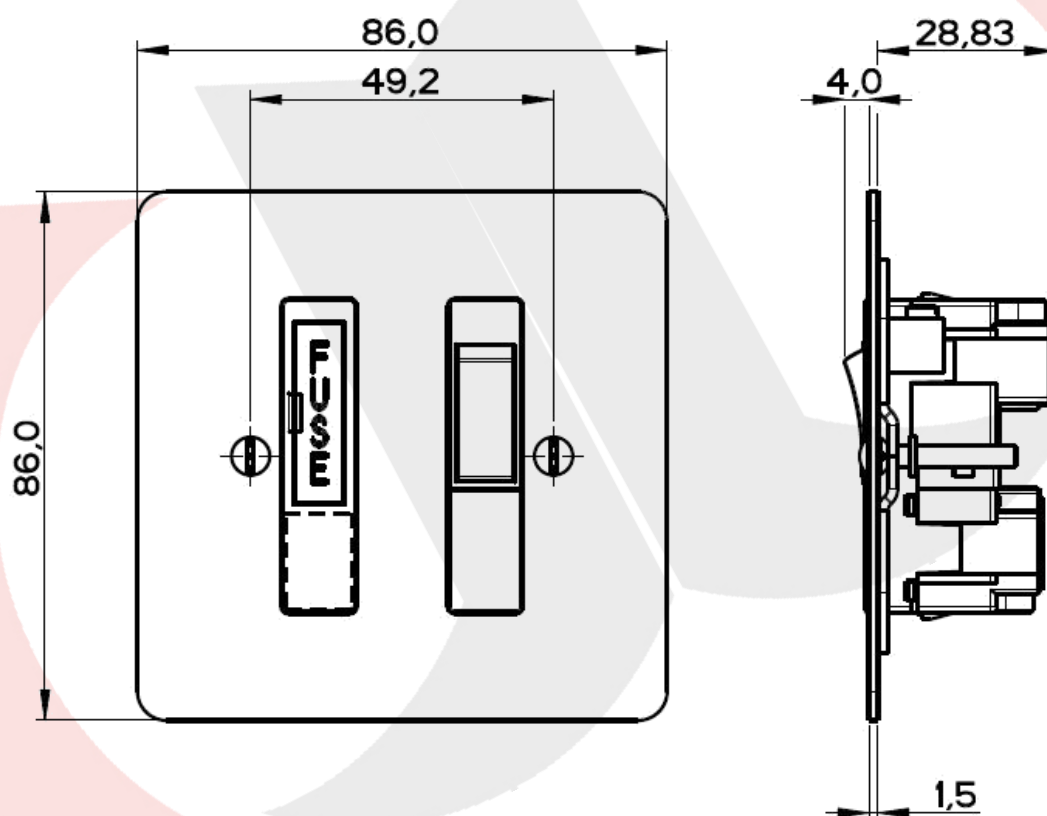
ILLUMINATED:

- P666/*, A668/*** - Switched Fused Connection Unit with Neon
- P666/*, A669/*** - Switched Fused Connection Unit with Neon and Cable Outlet
- P201/*, A254/*** - Fused Connection Unit
- P255/*, A256/*** - Fused Connection Unit with Cable Outlet

* Interior Finishes available:
/B – Black, /W - White

Classic Collection - Connection Units

Technical Specification	
Supply Voltage:	250V AC
Current Rating:	13Amp
Terminal Capacities:	Live, Neutral and Earth: 3 x 2.5mm ² 2 x 4 mm ² 1 x 6 mm ²
Ambient Operating Temperature:	-5°C to +40°C
IP Rating:	IP2XD
Max Installation Altitude:	2000 meters



Switched Fused Connection Unit

Recommended Box Depth:

- Switched Fused Connection Unit - 35mm
- Switched Fused Connection Unit with Neon - 35mm
- Switched Fused Connection Unit with Cable Outlet - 35mm
- Switched Fused Connection Unit with Cable Outlet and Neon - 35mm
- Metal boxes to BS4662