

Classic Collection - 2amp & 5amp Socket Outlets

Standards and Approvals

Conforms to BS 546.

Description

A range of round pin socket outlets have been designed for ease of installation, all having the superior quality and design features of the Classic Collection.

Features

- Top access terminals making wiring easier and quicker.
- Shutter safety feature.
- Terminal marking present on socket housing for clearer identification.
- Black and White housings available to compliment plate finishes.
- Automatic primary switching on insertion of plug

Availability

Our 2amp and 5amp un-switched sockets are available in Black and White polycarbonate moulded housings and are supplied as interior with grids throughout Classic, Infinity, Dimension and Penthouse Collections or as a complete assembly with a hinged lid.

All plate finishes available. Please see the Wandsworth Catalogue for more information.

Applications & Uses

Our 2amp and 5amp socket outlets can be used for lighting circuits that demand low amperages.



Ordering

Both the 2amp and 5amp socket outlets are available with all the benefits of the Classic Collection. When ordering please state in tabular form your requirements for plates/finishes, interior assemblies and boxes.

Catalogue Numbers:

Interiors: A2151/* - 2amp Socket Outlet

A205/* - 5amp Socket Outlet

Plates: P2151/* - 2amp Plate

P285/* - 5amp Plate

MHL12/* - 2amp Hinged Lid Outlet (complete assembly)

MHL13/* - 5amp Hinged Lid Outlet (complete assembly)

*Interior Finishes available:

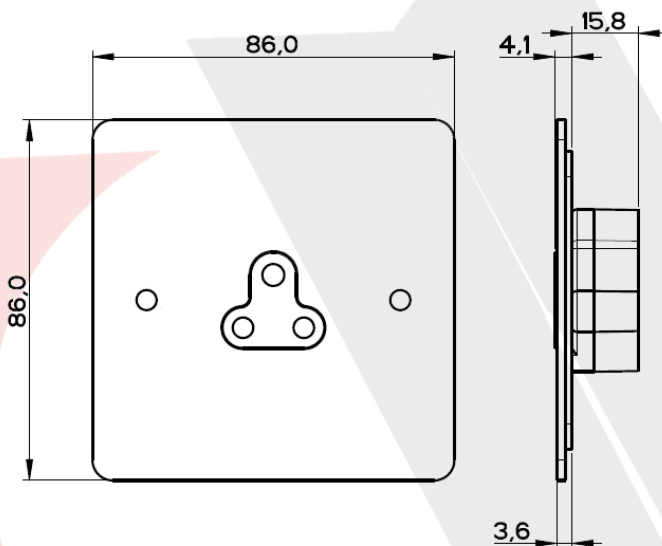
/B – Black, /W - White

Tel: +44(0)1483 713 400

Email: sales@wandsworthgroup.com

Classic Collection - 2amp & 5amp Socket Outlets

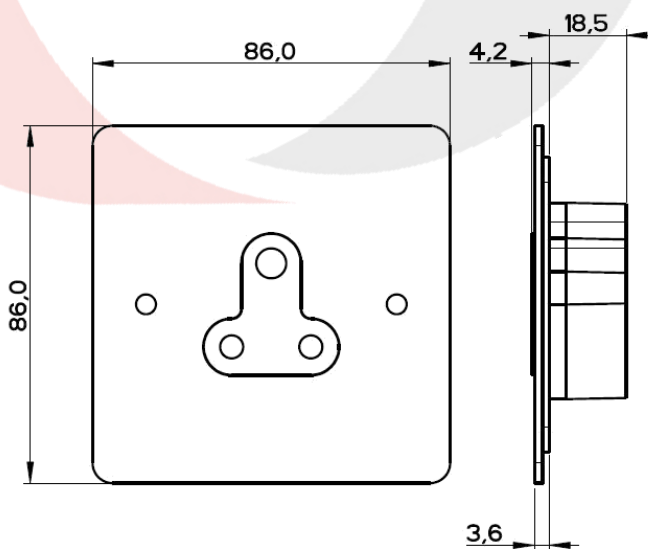
Technical Specification		
Supply Voltage:	250V AC	
Terminal Capacities:	2 AMP Socket	5 AMP Socket
	Live, Neutral & Earth	Live, Neutral & Earth
	1 x 2.5 mm ²	1 x 2.5 mm ²
	2 x 2.0 mm ²	2 x 2.0 mm ²
	2 x 1.5 mm ²	2 x 1.5 mm ²
	4 x 1.0 mm ²	4 x 1.0 mm ²
Ambient Operating Temperature:	-5°C to +40°C	
IP Rating:	IP2XD	
Max Installation Altitude:	2000 meters	



2amp Round Pin Socket Outlet

Depth:
2amp Socket – 16mm

Recommended Box Depth:
2Amp Round Pin Socket - 35mm Box
Metal boxes to BS4662



5amp Round Pin Socket Outlet

Depth:
5amp Socket – 19mm

Recommended Box Depth:
5Amp Round Pin Socket – 35mm Box
Metal boxes to BS4662