

Cat 6 STP RJ45 Grid Outlet



wandsworth
GROUP

Standards, Approvals & Directives

Meets or exceeds all applicable standards: UL Listed, TIA/EIA 568C.2 & ISO/IEC 11801 standard.

Description

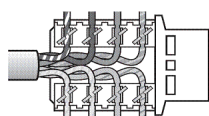
The Cat 6 STP outlet has been designed to conveniently network cable or DSL modems, home routers, PC's or Macs and other networked devices.

Features

- Capable of gigabit transmission providing a performance of up to 250MHz.
- IDC labelling individually colour coded to EIA 258A/568B
- Network PC's together to share files and a broadband internet connection.
- Suitable for 10BASE-T/100BASE-TX and 1000BASE-T/1000BASE-TX (Gigabit Ethernet).

Installation

Carefully strip 35mm of the cable jacket. Gently Remove the foil to expose the inner conductors. Slide the shield tab between the cable jacket and the foil. Place the cable tie around jacket and gently tighten. Locate the individual wires to the terminals, following the correct TIA wiring code and/or the terminal numbers on the connector.



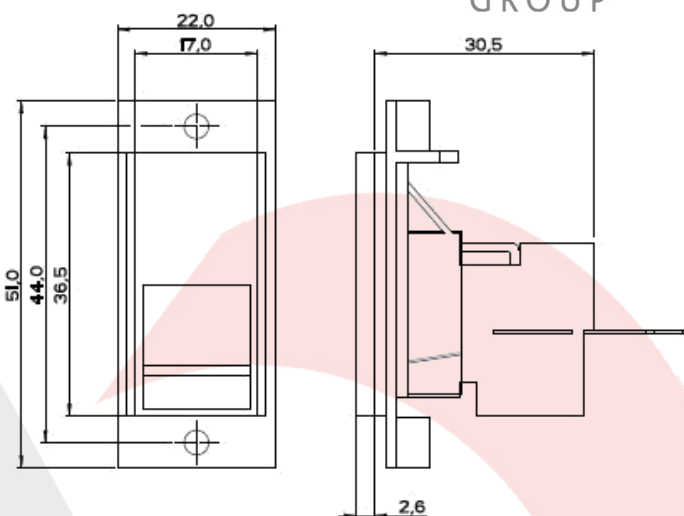
Using a data installation tool to punch the wires down into the contacts. Trim wire ends flush with the connector side face. Place metal can over the connector.

RJ45 Wiring Scheme

Use one wiring code for the whole installation.

TIA wiring code:

Pin No.	568A	568B
1	WHITE/green	WHITE/orange
2	GREEN/white	ORANGE/white
3	WHITE/orange	WHITE/green
4	BLUE/white	BLUE/white
5	WHITE/blue	WHITE/blue
6	ORANGE/white	GREEN/white
7	WHITE/brown	WHITE/brown
8	BROWN/white	BROWN/white



Recommended Box Depth:
35 mm
Metal boxes to BS4662.

Availability

All of our data, media and USB charger outlets can be used with all of our collections of wiring accessory plates and can be specified to contain single or multiple outlets depending upon requirement.

Single or multiple outlets are supplied in either Black or White polycarbonate housings to complement the finish of the chosen plate.

Ordering

All modular interiors fit into our switch plates and grids, making them available across all of our collections. However, when ordering in The Infinity Collection, the following grids must be used for installation.

- G981/*** - 1 Gang
- G982/*** - 2 Gang
- G983/*** - 3 Gang
- G984/*** - 4 Gang

When ordering please state the catalogue number of the required module.

Catalogue Numbers:

- * Finishes available:
3706029 = White
3706030 = Black

Tel: +44(0)1483 713 400

Email: sales@wandsworthgroup.com