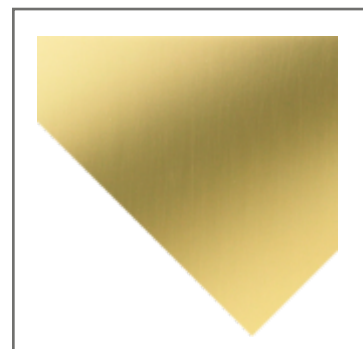
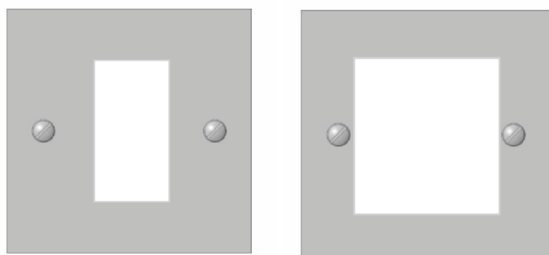


Collection	Finish	Product
Square Edged	Polished Brass	Euromod Plates

Square Edged Euromod Plates



Specified in Polished Brass

Overview

The Square Edged Collection offers a sleek flat plate, designed for use with our grid mounting switches, sockets, modular interiors and Euromod interiors.

Features

- Supplied with fixing screws
- Fits directly to back box, no grid required
- Fixing brackets attached to plate

Finishes

The Square Edged Collection is available in a range of standard hand-crafted finishes.

Use a 'soft dry cloth' when cleaning front plates.

Ordering

Please see opposite for catalogue numbers.

A large range of Euromod size modules are available from Wandsworth.

Please see catalogue or contact customer services for details.

Modules available in black or white.

Supplied separately.

Boxes also available, please order separately

Part numbers

1 Euromod single plate—PSQ2EU1/*

2 Euromod single plate—PSQ2EU2/*

4 Euromod twin plate—PSQ2EU4/*

/* - Plate finish

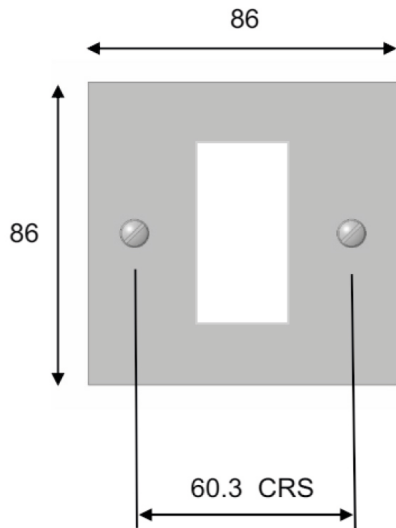
See catalogue for range of finishes.

Fit to back boxes that comply with BS4662.

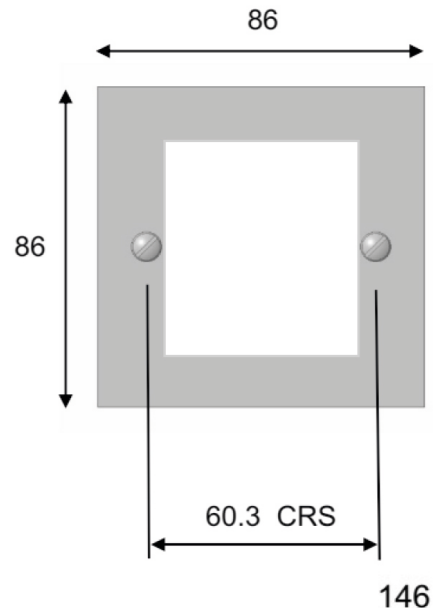
Please check with individual Euromod data sheets for back box depth requirements.

Note: The Company Policy is one of continuous improvement and the right to change designs, dimensions, descriptive matter, etc., at any time without notice is reserved.

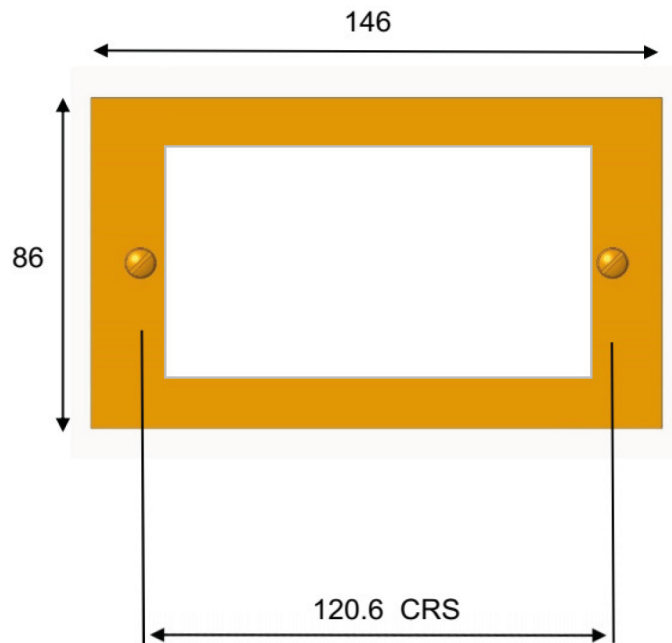
Collection	Finish	Product
Square Edged	Polished Brass	Euromod Plates



Part number— PSQ2EU1/*
 1 Euromod plate
 25 x 50 mm Module cut-out



Part number— PSQ2EU2/*
 2 Euromod plate
 50 x 50 mm Module cut-out



Part number— PSR2EU4/*
 4 Euromod plate
 100 x 50 mm Module cut-out