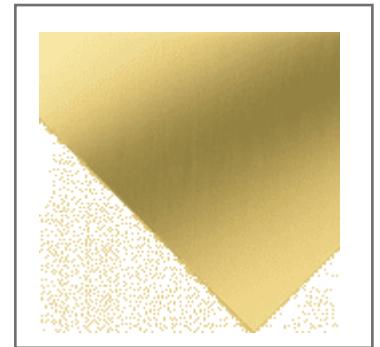


Collection	Finish	Product
Square Edged	Polished Brass	Fused Connection Units

Square Edged Fused Connection Units



PSQ666/DAB
A666/DAB



Specified in Polished Brass

Description

A range of 13Amp fused connection units have been designed for the connection of refrigerators, water heaters, central heating boilers and other fixed appliances.

All units have been designed with ease of installation in mind and have the advantageous design features and quality of the Square Edged Collection.

Illuminated – Neon indicators are available on switched fused connection and fused connection units.

Non-Illuminated – available in switched fused connection and fused connection units.

Integral cable outlet available on switched types only.

Features

- Fused connection units have a retained fused carrier that is not removed during fuse replacement.
- All terminal and fixing screws are operated by one-sized screwdriver.
- Metal rockers to suit plate finish (excluding painted finishes).
- All neon indicators are integrally wired into the product and do not require separate connection when installing.
- Red plastic rocker switches available.

Standards, Approvals & Directives

BS 1363

Availability

13Amp Fused Connection Units are available in the following units:

NON-ILLUMINATED:

PSQ666/*, A666/* - Switched Fused Connection Unit

PSQ666/*, A667/* - Switched Fused Connection Unit with Cable Outlet

PSQ201/*, A253/* - Un-switched Fused Connection Unit

ILLUMINATED:

PSQ666/*, A668/* - Switched Fused Connection Unit with Neon

PSQ666/*, A669/* - Switched Fused Connection Unit with Neon and Cable Outlet

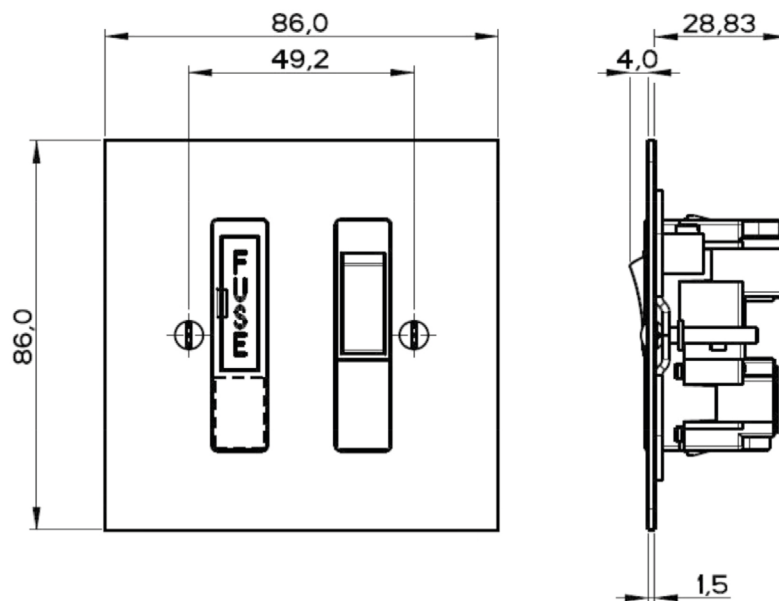
PSQ201/*, A254/* - Un-switched Fused Connection Unit

Interior moulding colours available:

/B – Black, /W - White

Collection	Finish	Product
Square Edged	Polished Brass	Fused Connection Units

Technical Specification	
Supply Voltage:	250V AC
Current Rating:	13Amp
Terminal Capacity:	Live, Neutral & Earth:
	3 x 2.5mm ²
	2 x 4 mm ²
	1 x 6 mm ²
Ambient Operating Temperature:	-5°C to +40°C
IP Rating:	IP2XD
Max Installation Altitude:	2000 meters



Switched Fused Connection Unit

Recommended Box Depth:

- Switched Fused Connection Unit - 35mm
- Switched Fused Connection Unit with Neon - 35mm
- Switched Fused Connection Unit with Cable Outlet - 35mm
- Switched Fused Connection Unit with Cable Outlet and Neon - 35mm
- Metal boxes to BS4662

Note: The Company Policy is one of continuous improvement and the right to change designs, dimensions, descriptive matter, etc., at any time without notice is reserved.