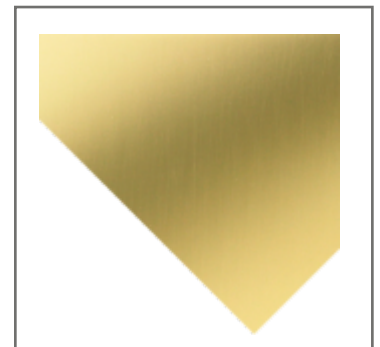


Collection	Finish	Product
Square Edged	Polished Brass	2 & 5 Amp Socket Outlets

Square Edged 2 & 5 Amp Socket Outlets



Specified in Polished Brass

Description

A range of round pin socket outlets have been designed for ease of installation, all having the superior quality and design features of the Square Edged Collection.

Features

- Top access terminals making wiring easier and quicker.
- Shutter safety feature.
- Terminal marking present on socket housing for clearer identification.
- Black and White housings available to compliment plate finishes.
- Automatic primary switching on insertion of plug

Availability

Our 2amp and 5amp un-switched sockets are available in Black and White polycarbonate moulded housings and are supplied as interior with grids throughout Classic, Square Edged, Infinity, Dimension and Penthouse Collections.

All plate finishes available. Please see the Wandsworth Catalogue for more information.

Standards and Approvals

Conforms to BS 546.

Applications & Uses

Our 2amp and 5amp socket outlets can be used for lighting circuits that demand low amperages.

Ordering

Both the 2amp and 5amp socket outlets are available with all the benefits of the Square Edged Collection. When ordering please state in tabular form your requirements for plates/finishes, interior assemblies and boxes.

Catalogue Numbers:

Interiors: A2151* - 2amp Socket Outlet

A205* - 5amp Socket Outlet

Plates: PSQ2151* - 2amp Plate

PSQ285* - 5amp Plate

***Interior Finishes available:**

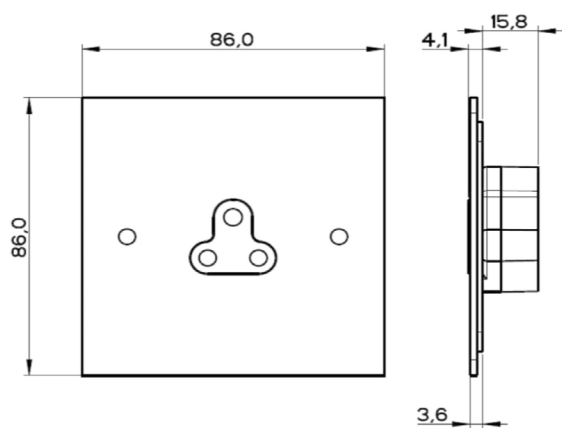
/B – Black, /W - White

1702—flush box

Note: The Company Policy is one of continuous improvement and the right to change designs, dimensions, descriptive matter, etc., at any time without notice is reserved.

Collection	Finish	Product
Square Edged	Polished Brass	2 & 5 Amp Socket Outlets

Technical Specification		
Supply Voltage:	250V AC	
Terminal Capacities:	2 AMP Socket	5 AMP Socket
	Live, Neutral & Earth	Live, Neutral & Earth
	1 x 2.5 mm ²	1 x 2.5 mm ²
	2 x 2.0 mm ²	2 x 2.0 mm ²
	2 x 1.5 mm ²	2 x 1.5 mm ²
	4 x 1.0 mm ²	
Ambient Operating Temperature:	-5°C to +40°C	
IP Rating	IP2XD	
Max Installation Altitude:	2000 meters	



2amp Round Pin Socket Outlet

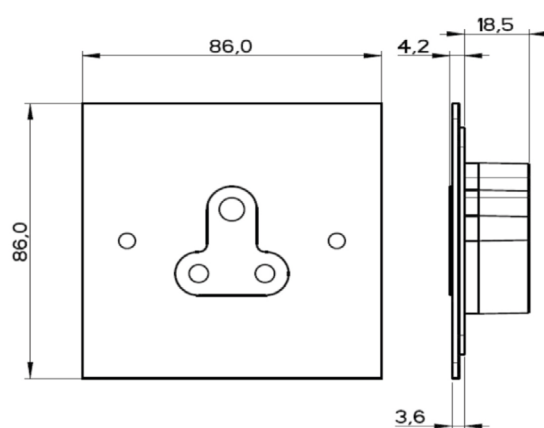
Depth:

2amp Socket – 16mm

Recommended Box Depth:

2Amp Round Pin Socket - 35mm Box

Metal boxes to BS4662



5amp Round Pin Socket Outlet

Depth:

5amp Socket – 19mm

Recommended Box Depth:

5Amp Round Pin Socket – 35mm Box

Metal boxes to BS4662