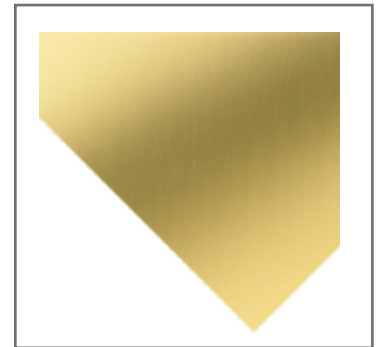


Collection	Finish	Product
Infinity	Polished Brass	13amp Socket Outlet

## Infinity Collection 13amp Socket Outlet



Specified in Polished Brass

### Description

A range of socket outlets have been designed for ease of installation, all having the superior quality and design features of The Infinity Collection.

These products can quickly replace an existing 13 amp socket (assuming suitable mounting box is already in position).

### Standards and Approvals

Comply with BS 1363-2:1995 +A4:2014  
(Non-Standard Sockets where relevant.)  
Nemko Test certificate: C12/43399-1

### Features

- Matching metal rocker switches available .
- Un-switched sockets available.
- Terminals markings present on housing for clearer identification.
- Switch contacts with silver contacts on both surfaces for good continuity.
- Switched socket outlets have double insulated rockers.
- Red plastic rocker switches available.

### Finishes

We offer 13 superb finishes from stock and an additional 6 in-house metal finishes that are available within a four-week lead time. All finishes are individually inspected by the Wandsworth Group. This ensures the highest standard is achieved. (Refer to the catalogue for more information)

The 13amp sockets are available in Red, Blue, Black and White moulded polycarbonate housings.

### Ordering

When ordering please state in tabular form your requirements for plates/ finishes, interior assemblies and boxes.

Please see the Wandsworth Group catalogue for more information and catalogue numbers.

### Availability

#### 13amp Un-switched:

P923/\*, A923/\* - Single, Rear Entry, Single Pole

#### 13amp Switched:

P925/\*, A925/\* - Single, Rear Entry, Single Pole

P924/\*, A924/D/\* - Twin, Rear Entry, Double Pole, Dual Earth

\* Interior Finishes available:

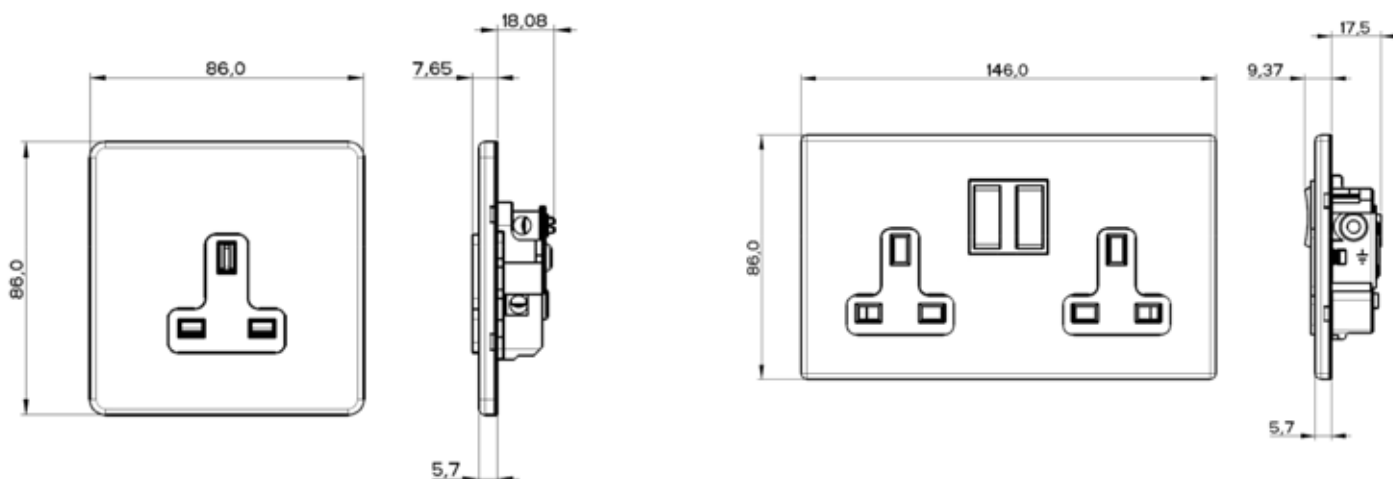
/B – Black, /W - White, /R - Red

#### NOTE:

The Company Policy is one of continuous improvement and the right to change designs, dimensions, descriptive matter, etc., at any time without notice is reserved.

Collection	Finish	Product
Infinity	Polished Brass	2 & 5amp Socket Outlets

TECHNICAL SPECIFICATION					
Supply Voltage	Current Rating	Terminal Capacity	Ambient Operating Temperature	IP Rating	Max Installation Altitude
250V AC	13 Amps	Live, Neutral & Earth 3 x 2.5mm <sup>2</sup> (solid/stranded) 3 x 4mm <sup>2</sup> (solid/stranded) 1 x 6mm <sup>2</sup> (solid/stranded)	-5°C to +40°C	IP2XD	2000 meters



### 13Amp Single Un-Switched Socket Outlet

**Depth:**  
Single Un-Switched, Rear entry, Single Pole - 19 mm

**Recommended Box Depth:**  
35 mm

Metal boxes to BS4662

### 13Amp Twin Switched Socket Outlet

**Depth:**  
Twin Switched, Rear Entry, Single Pole, Dual Earth – 18 mm

**Recommended Box Depth:**  
35 mm Box

Metal boxes to BS4662

**NOTE:**  
The Company Policy is one of continuous improvement and the right to change designs, dimensions, descriptive matter, etc., at any time without notice is reserved.