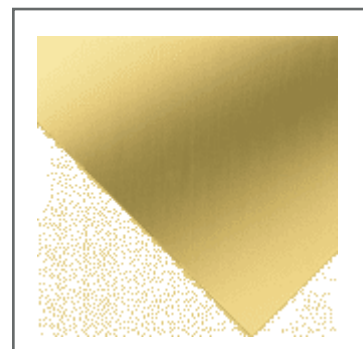


Collection	Finish	Product
Classic	Polished Brass	2 & 5 Amp Socket Outlets

Classic Collection 2 & 5 Amp Socket Outlets



Specified in Polished Brass

Description

A range of round pin socket outlets have been designed for ease of installation, all having the superior quality and design features of the Classic Collection.

Standards, Approvals & Directives

Conforms to BS 546.

Features

- Top access terminals making wiring easier and quicker.
- Shutter safety feature.
- Terminal marking present on socket housing for clearer identification.
- Black and White housings available to compliment plate finishes.
- Automatic primary switching on insertion of plug

Applications & Uses

Our 2amp and 5amp socket outlets can be used for lighting circuits that demand low amperages.

Availability

Our 2amp and 5amp un-switched sockets are available in Black and White polycarbonate moulded housings and are supplied as interior with grids throughout Classic, Infinity, Dimension and Penthouse Collections or as a complete assembly with a hinged lid.

All plate finishes available. Please see the Wandsworth Catalogue for more information.

Finishes

All finishes are individually inspected by the Wandsworth Group, a sign of the high standard we have set for The Classic Collection.

Ordering

Both the 2amp and 5amp socket outlets are available with all the benefits of the Classic Collection. When ordering please state in tabular form your requirements for plates/finishes, interior assemblies and boxes.

Catalogue Numbers:

Interiors: A2151/* - 2amp Socket Outlet

A205/* - 5amp Socket Outlet

Plates: P2151/* - 2amp Plate

P285/* - 5amp Plate

MHL12/* - 2amp Hinged Lid Outlet (complete assembly)

MHL13/* - 5amp Hinged Lid Outlet (complete assembly)

*Interior Finishes available:

/B – Black, /W - White

Collection	Finish	Product
Classic	Polished Brass	2 & 5 Amp Socket Outlets

TECHNICAL SPECIFICATION

Supply Voltage	Terminal Capacity	Ambient Operating Temperature	IP Rating	Max Installation Altitude
250V AC	2 & 5 AMP Socket Live, Neutral & Earth 1 x 2.5 mm ² 2 x 2.0 mm ² 2 x 1.5 mm ² 4 x 1.0 mm ²	-5°C to +40°C	IP2XD	2000 meters

2amp Round Pin Socket Outlet

Depth:

2amp Socket – 16mm

Recommended Box Depth:

2Amp Round Pin Socket - 35mm Box

Metal boxes to BS4662

5amp Round Pin Socket Outlet

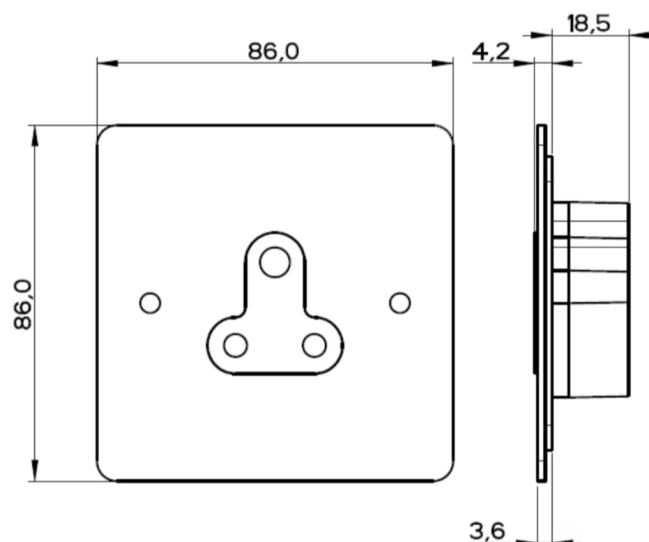
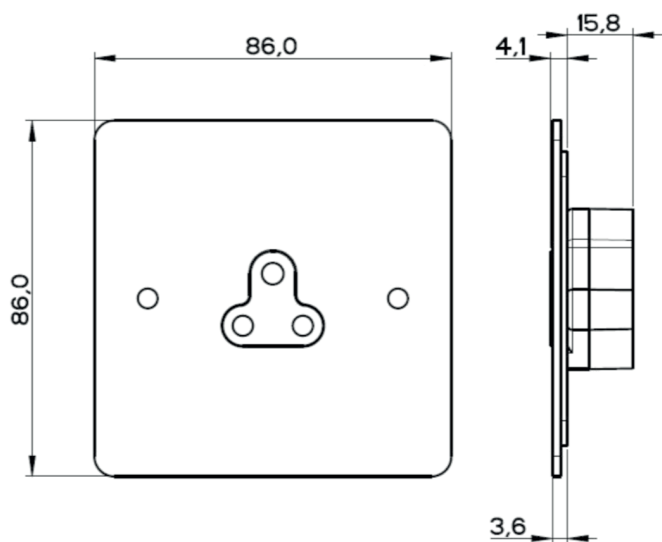
Depth:

5amp Socket – 19mm

Recommended Box Depth:

5Amp Round Pin Socket – 35mm Box

Metal boxes to BS4662



NOTE:

The Company Policy is one of continuous improvement and the right to change designs, dimensions, descriptive matter, etc., at any time without notice is reserved.